



# YOSHIMURA

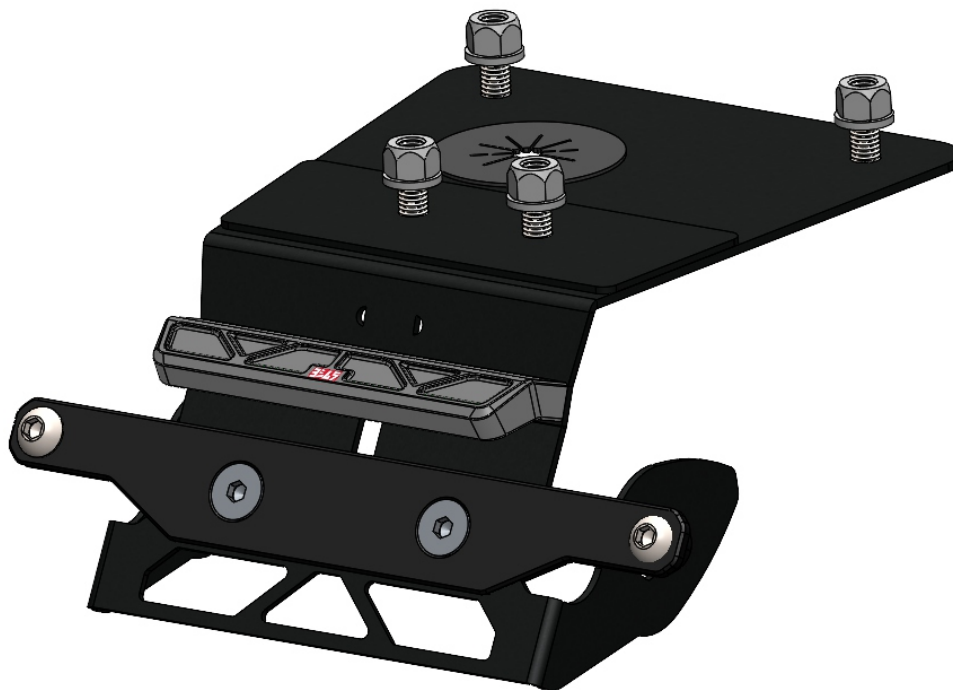
RESEARCH&DEVELOPMENT OF AMERICA, INC.

5420 DANIELS STREET STE A, CHINO CA., 91710 · (800) 634-9166 · (909) 628-4722 · FAX (909) 591-2198

[www.yoshimura-rd.com](http://www.yoshimura-rd.com)

## **FENDER ELIMINATOR KIT**

**075BG121220**  
**Honda Grom**



**THIS PRODUCT IS NOT DOT APPROVED.**

Yoshimura R&D of America, Inc. is not liable or responsible for any resulting event caused by the installation of this product. Check with local laws and regulations for compliance prior to installation and use. This product is not intended for use on public highways.



#1 Qty. 1



12122-FEBKT2  
Fender Eliminator Bracket

#2 Qty. 1



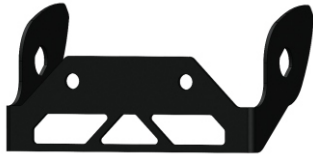
FE-LP-BKT  
License Plate Bracket

#3 Qty. 1



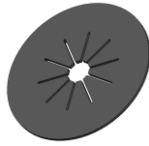
075BG-LH-H2  
License Plate Light

#4 Qty. 1



12122-TSB-B  
OEM Turn Signal Bracket

#5 Qty. 1



H-2158T-1  
Wire Debris Cover

#6 Qty. 4



M6X16BHS  
6mm x 16mm  
Button Head Screw

#7 Qty. 2



M6X12FS-SS  
6mm x 12mm  
Flat Head Screw

#8 Qty. 4



M6X10BHS  
6mm x 10mm  
Button Head Screw

#9 Qty. 2



M4X6BHS  
4mm x 6mm  
Button Head Screw

#10 Qty. 6



6MMWASHER-SS  
6mm Washer

#11 Qty. 6



6MMLN-SS  
6mm Lock Nut

### Service Parts & Accessories

[License Plate Frame](#)

(070BG-LPF-K)

[Standard Turn Signal Kit](#)

(075BG-STD-K-K)

[Sequential Turn Signal Kit](#)

(075BG-SEQ-K-K)

[Micro Turn Signal Kit](#)

(075BG-MIC-B-K)

[Black Ti Bolts](#)

(M6X10-TI-BLK-K)

[Gold Ti Bolts](#)

(M6X10-TI-GOLD-K)

[Oil Slick Rainbow Bolts](#)

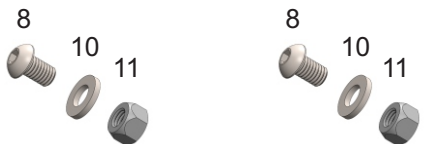
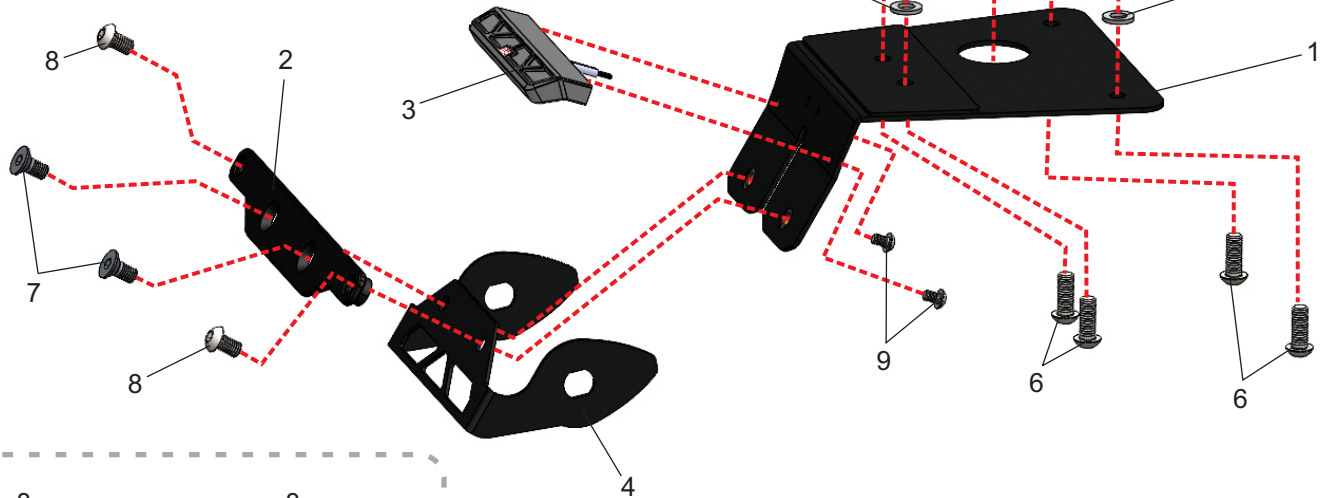
(M6X10-TI-OS-K)

#12 Qty. 1



ZT-400  
Cable Tie

### Assembly Diagram



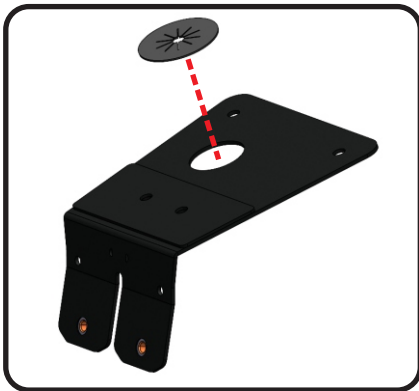
Button head screws, washers, and lock nuts are for the bottom two license plate holes.

## Removal

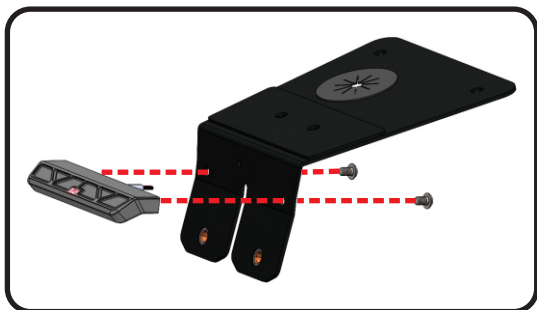
1. Remove rider seat.
2. Locate and disconnect the stock license plate light and turn signal connectors.
3. While securely supporting the stock fender assembly, remove the four fender bolts securing the rear fender assembly to the subframe. Carefully remove the stock fender assembly making sure not to damage connectors in the process.
4. Remove the stock turn signals from the rear fender assembly.

## Installation

1. Install *H-2158T-1*, wire debris cover onto *12122-FEBKT2*, fender eliminator bracket.

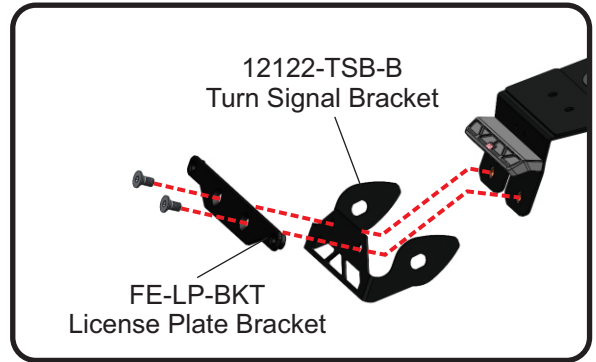


2. Install *075BG-LH-H2*, license plate light onto *12122-FEBKT2*, fender eliminator bracket using *M4X6BHS*, button head screws.

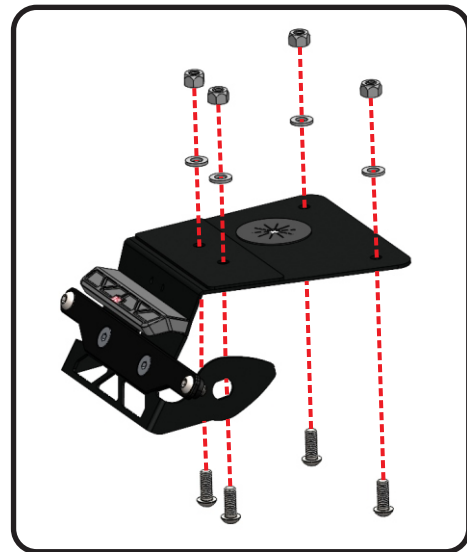


3. Install the stock turn signals onto *12122-TSB-B*, OEM turn signal bracket using the stock mounting hardware.
4. Install *12122-TSB-B*, OEM turn signal bracket in between *FE-LP-BKT*, license plate bracket and *12122-FEBKT2*, fender eliminator bracket using *M6X12FS-SS*, flat head screws.

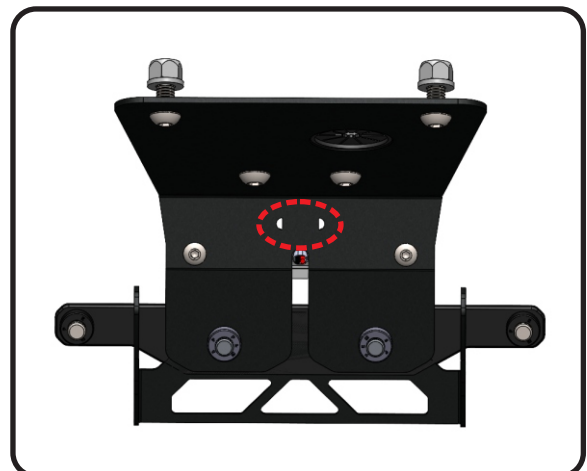
Note: *M6X10BHS*, button head screws will be used to secure the license plate light to *FE-LP-BKT*, license plate bracket. *6MMLN-SS*, nylon lock nuts and *6MMWASHER-SS*, washers are for the bottom license plate holes.



5. Route the turn signal and license plate light wires through the hole in *H-2158T-1*, wire debris cover and through the lower rear cowl. Secure *12122-FEBKT2*, fender eliminator bracket to subframe using the four *M6X16BHS*, and *6MMWASHER-SS*, *6MMLN-SS*, washer and nut as shown.



6. Use *ZT-400*, cable tie supplied in the kit to secure license plate light and turn signal wires to fender bracket.



7. Re-connect license plate light and turn signal connectors to the wiring harness.
8. Re-install rider seat.
9. Check for proper function of license plate light and turn signals and that all brackets and components are secure prior to riding.