



## OG 2020-Up Softail Lowrider S & ST Drop 1" Triple Trees kit-1.0

Please refer to your bike service manual for additional guidance.

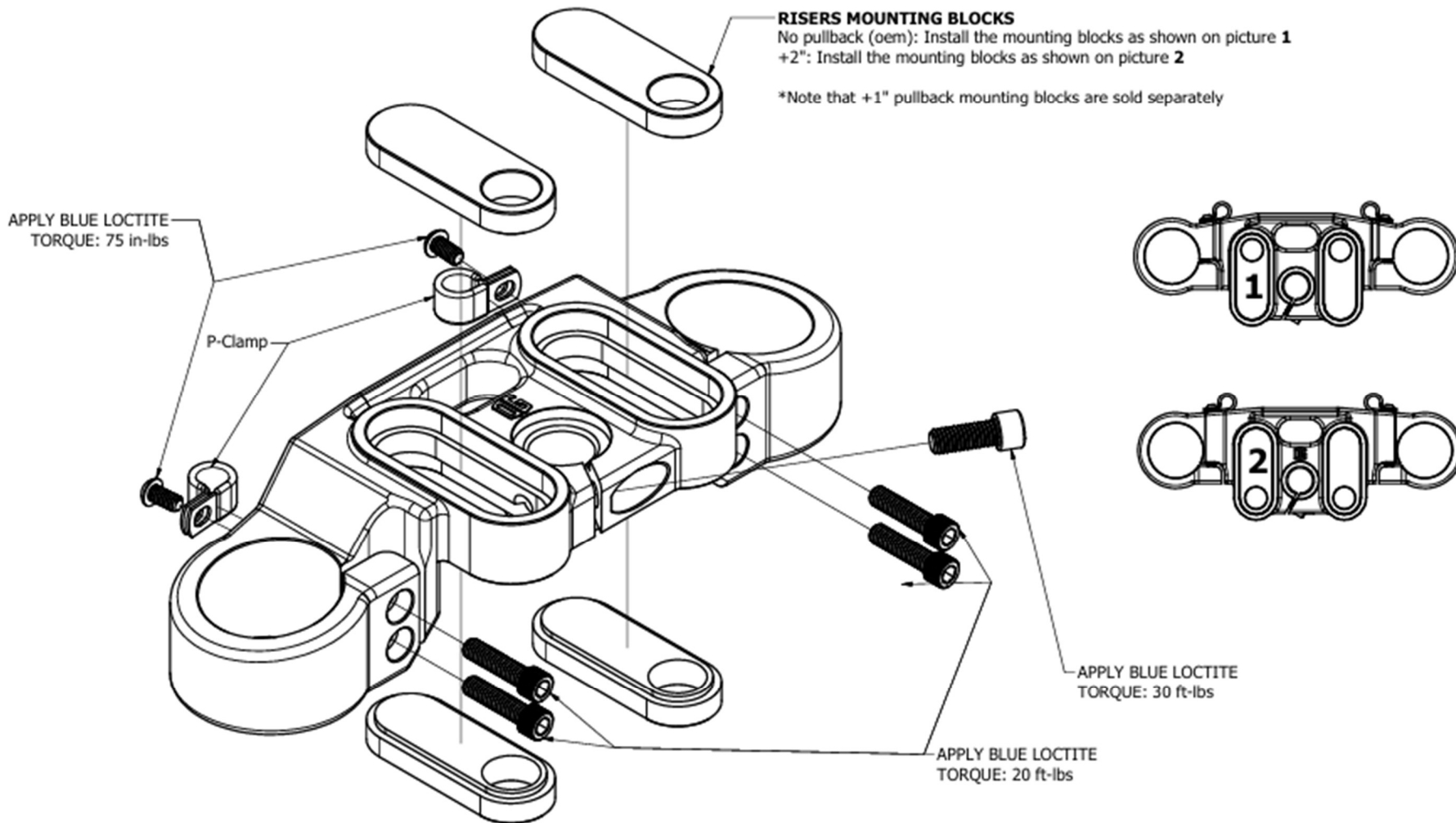
\*For a smoother installation, keep your hand controls and switches installed on the handlebar.

1. Separate the handlebar from the top triple tree.
2. Remove fork tubes
3. Remove the OEM top triple tree.
4. Remove OEM lower triple tree
5. At this point, consider inspecting, cleaning, and greasing your neck bearings.
6. Slide the OG Fork Stem into the OG Lower Triple Tree. Refer to the attached diagram. Do not torque the Fork Stem pinch bolt yet.
7. Install lower neck bearing on the OG Fork Stem.
8. Install the upper neck bearing & slide the OG Fork Stem/Lower Triple Tree assembly into the neck.
9. Install your new OG Top Triple Tree on top of the fork stem.
10. Make sure that all pinch bolts on the triple tree are loose so it can slide freely.
11. Install the OG fork stem screw and billet fork cap and torque it to **165 in-lbs**.
12. Loosen the fork stem screw by 45°.
13. Apply the final torque to the OEM fork stem screw. **120 in-lbs**.
14. Reinstall fork tubes
15. Torque all OG Top Triple Tree pinch bolts. **Refer to the attached diagram** for torque specifications and parts assembly.
16. The risers mounting blocks can be flipped for a 2" pullback setup. 1" Pullback Mounting Blocks are available and sold separately.
17. Install Risers bushing. We strongly recommend polyurethane bushings for risers lower than 9" and solid bushings for risers higher than 9".
18. Install your handlebar and risers on the top triple tree.
19. Carefully route your wires and cables using the supplied P-clamps.



OG 2020-Up Softail Lowrider S & ST Drop 1" Triple Trees kit-1.0

# OG 2020-Up Softail Lowrider S & ST Drop 1" Top Triple Tree H-AC-134-XX

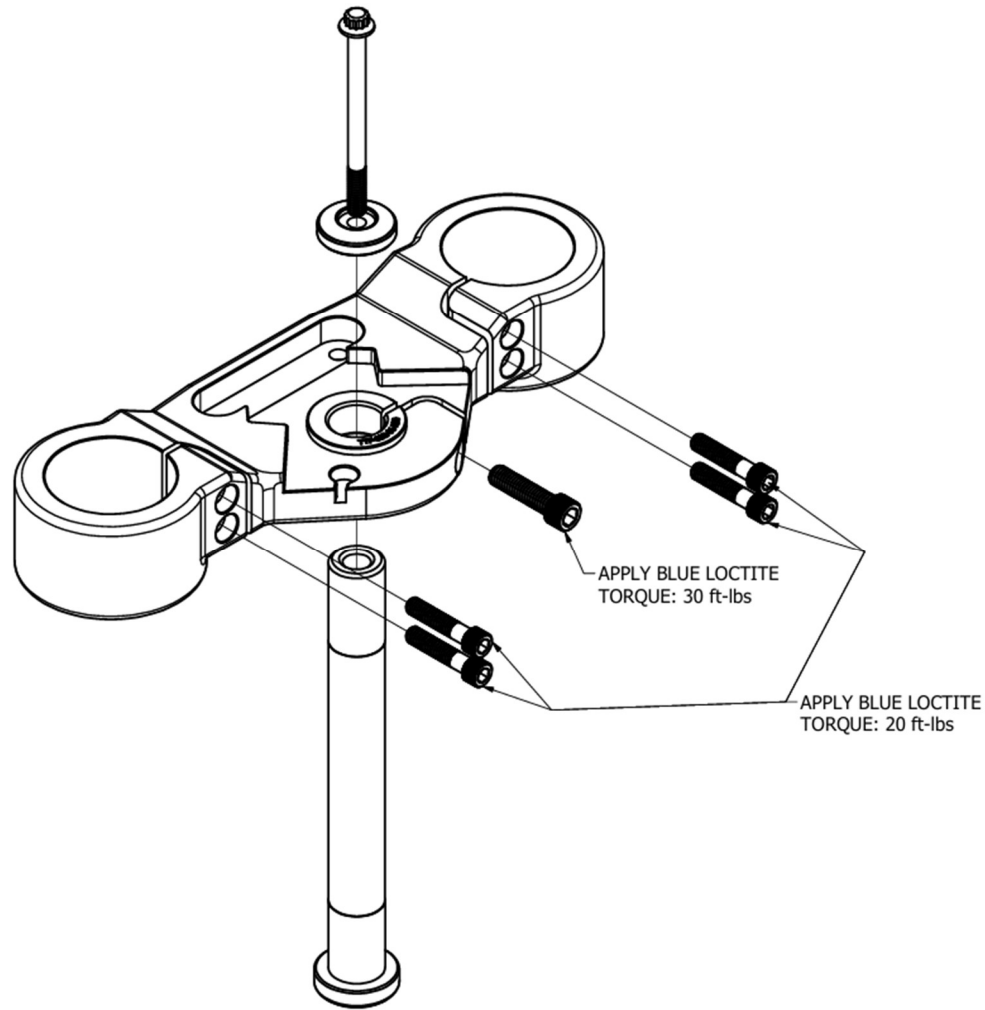


Need help? [info@originalgaragemoto.com](mailto:info@originalgaragemoto.com)  
OG 2020-Up Softail Lowrider S & ST Drop 1" Triple Trees kit-1.0



OG 2020-Up Softail Lowrider S & ST Drop 1" Triple Trees kit-1.0

# OG 2020-Up Softail Lowrider S & ST Lower Triple Tree kit H-AC-122-XX



Need help? [info@originalgaragemoto.com](mailto:info@originalgaragemoto.com)

OG 2020-Up Softail Lowrider S & ST Drop 1" Triple Trees kit-1.0