

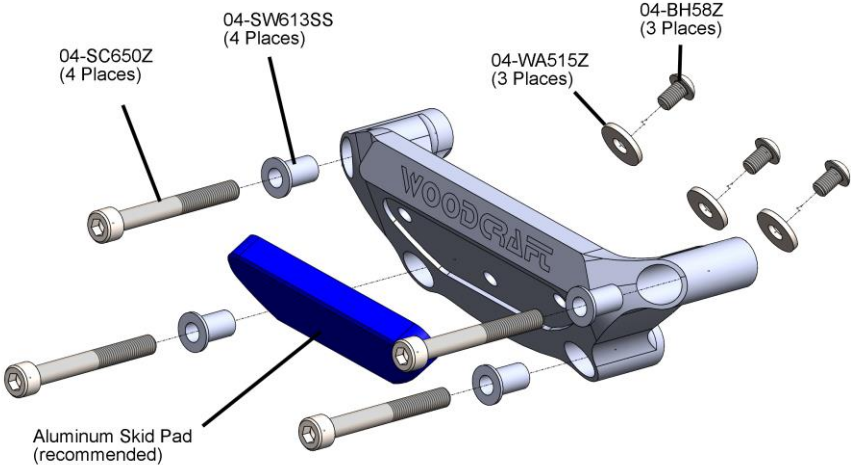


Installation Instructions

60-0416LC Cover Protector

1) Attach the skid plate to the Woodcraft cover by bolting it from the inside with the supplied bolts and washers.

IMPORTANT - USE BLUE LOCTITE ON THE THREE SKID PLATE MOUNTING BOLTS. These are installed snug with a hand tool – do not overtighten these bolts and deform the plastic. Allow the threadlocking compound to fully set before use.



2) Check that the 04-SW613SS stainless steel sleeves are in place in the 4 main mount locations
3) Install the Woodcraft cover using the included mounting hardware (04-SC650Z) in the 4 locations shown above. Torque for these mounting bolts is about 8 ft-lbs. We recommend Blue Loctite on all 4 mounting bolts.

3) Start the motorcycle and inspect for any leaks before riding.

WARNING
Installation of Woodcraft Billet Covers involves removal and reinstallation of certain factory components such as fasteners, alternator stators and oil-retention gaskets. **FAILURE TO INSTALL THESE COMPONENTS IN COMPLIANCE WITH ALL SPECIFIC INSTRUCTIONS SUPPLIED WITH BILLET COVER KIT, MAY CAUSE OIL LOSS OR DAMAGE TO ENGINE RESULTING IN LOSS OF CONTROL OF MOTORCYCLE AND SERIOUS INJURY OR DEATH.**