

Installation Instructions

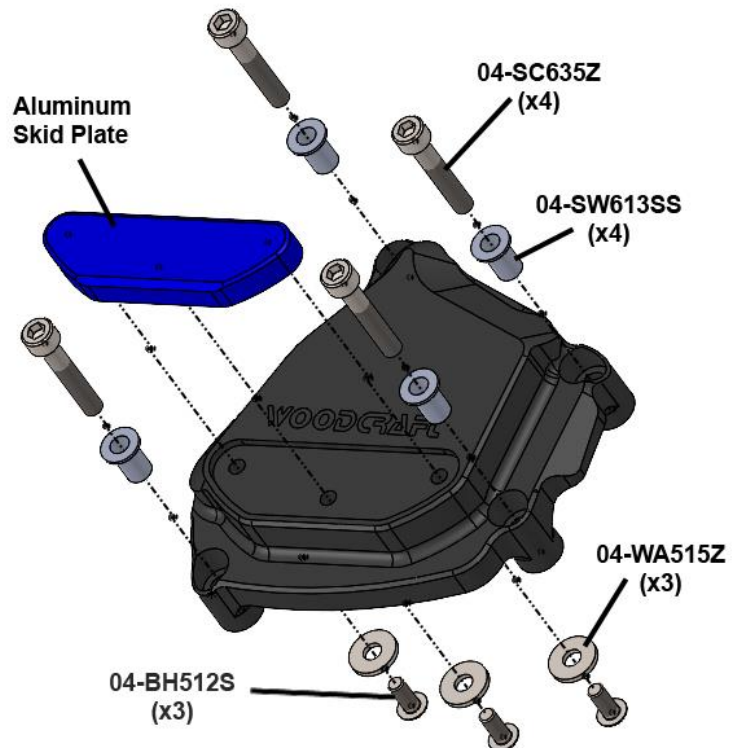
60-0452RC Yamaha R1 Oil Pump Cover Protector

1) Attach the skid plate to the Woodcraft cover by bolting it from the inside. **IMPORTANT - USE BLUE THREADLOCKING COMPOUND ON THE THREE SKID PLATE MOUNTING BOLTS.** These are installed snug with a hand tool – do not overtighten these bolts and deform the plastic. Allow the threadlocking compound to fully set before use.

2) The 04-SW613SS Stainless Steel Sleeves should be pre-installed in your cover. Ensure that they are in place before installation.

3) Install the Woodcraft cover using the included mounting hardware. Ensure that the spacers and the bolts are installed in the positions shown with the proper corresponding bolts. Torque for these mounting bolts is about 7 ft-lbs.

3) Start the motorcycle and inspect for any leaks before riding.



WARNING

Installation of Woodcraft Billet Covers involves removal and reinstallation of certain factory components such as fasteners, alternator stators and oil-retention gaskets. **FAILURE TO INSTALL THESE COMPONENTS IN COMPLIANCE WITH ALL SPECIFIC INSTRUCTIONS SUPPLIED WITH BILLET COVER KIT, MAY CAUSE OIL LOSS OR DAMAGE TO ENGINE RESULTING IN LOSS OF CONTROL OF MOTORCYCLE AND SERIOUS INJURY OR DEATH.**