



SN.

Dr. Jekyll & Mr. Hyde[®]

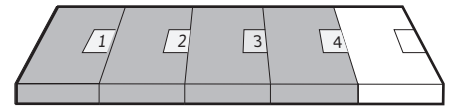
THE EXHAUST

MANUAL : HARLEY-DAVIDSON[®] USA

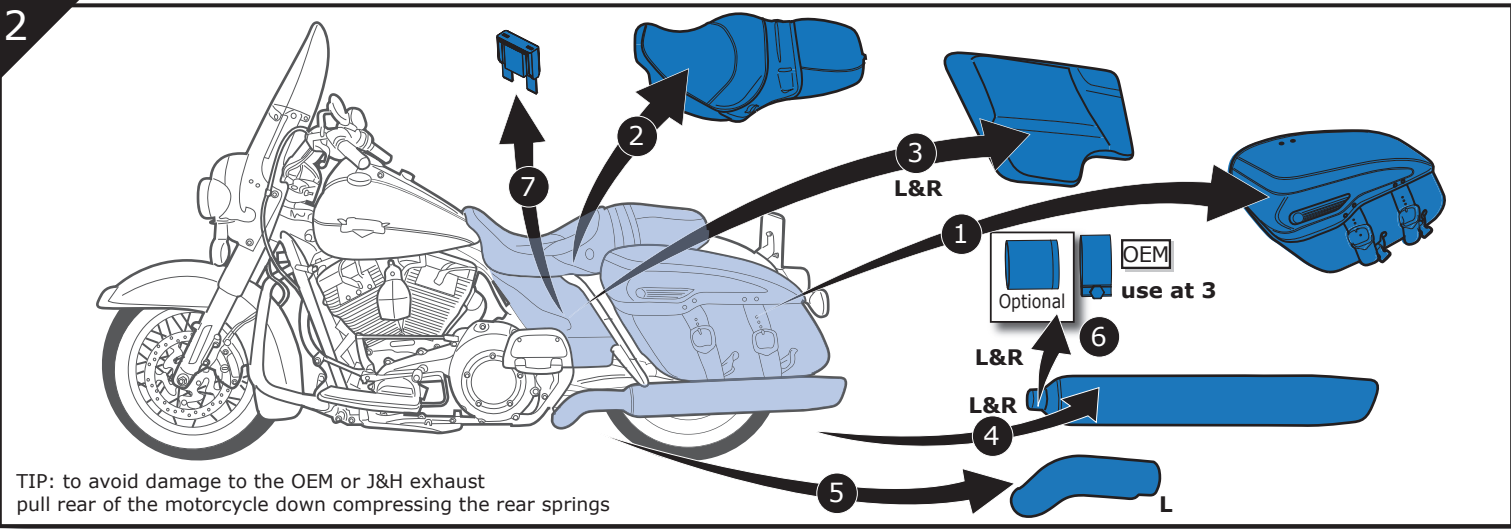
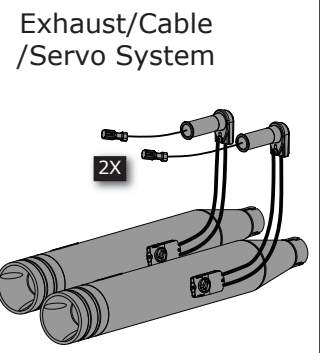
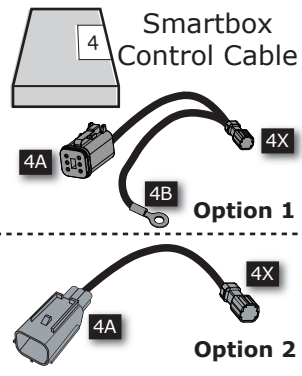
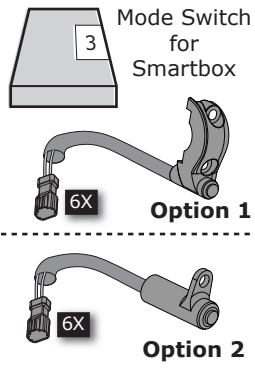
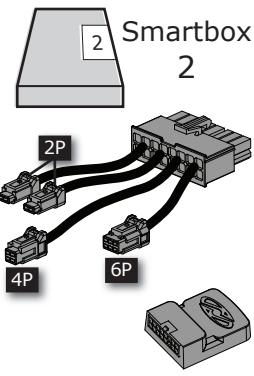


Touring
2017->

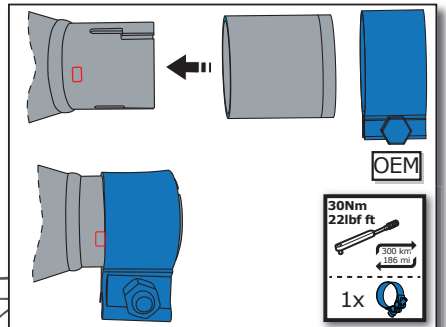
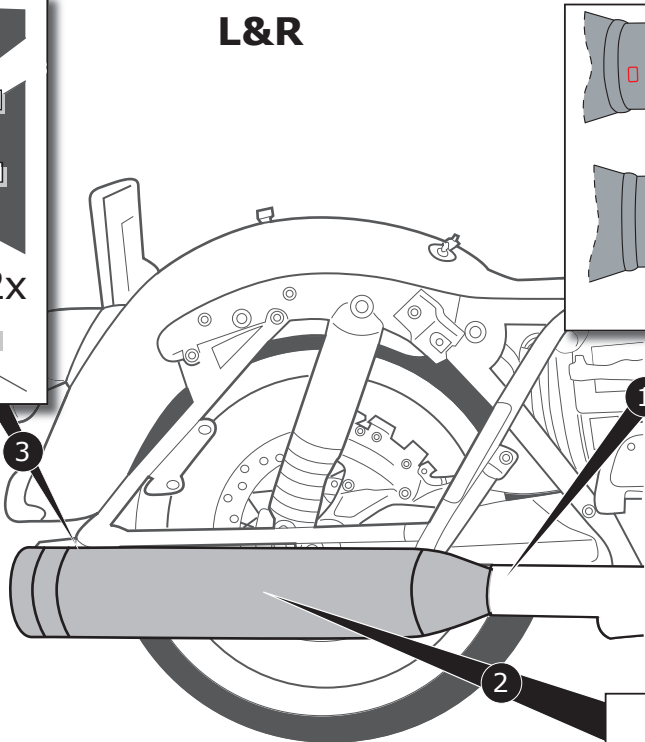
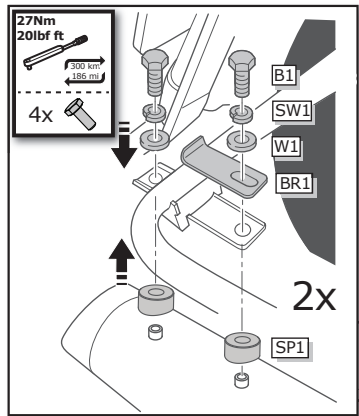
Touring 2017-> Easymount Smartbox 2



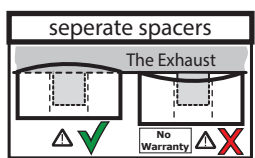
- 1 Assembly Kit**
- PC 2x
 - B1 4x
 - B2 1x
 - N1 1x
 - B3 1x
 - SP1 4x
 - SW1 4x
 - W1 4x
 - W2 1x
 - BR1 2x
 - TR 6x



- 3 Items required**
- PC 2x
 - B2 1x
 - N1 1x
 - B3 1x
 - SP1 4x
 - B1 4x
 - SW1 4x
 - W1 4x
 - W2 1x
 - BR1 2x
 - TR 6x



HD-OEM gasket numbers:
Left hand side 65900017
Right hand side 65900056



CONTINUE WITH STEP 4 AT :

PAGE 4

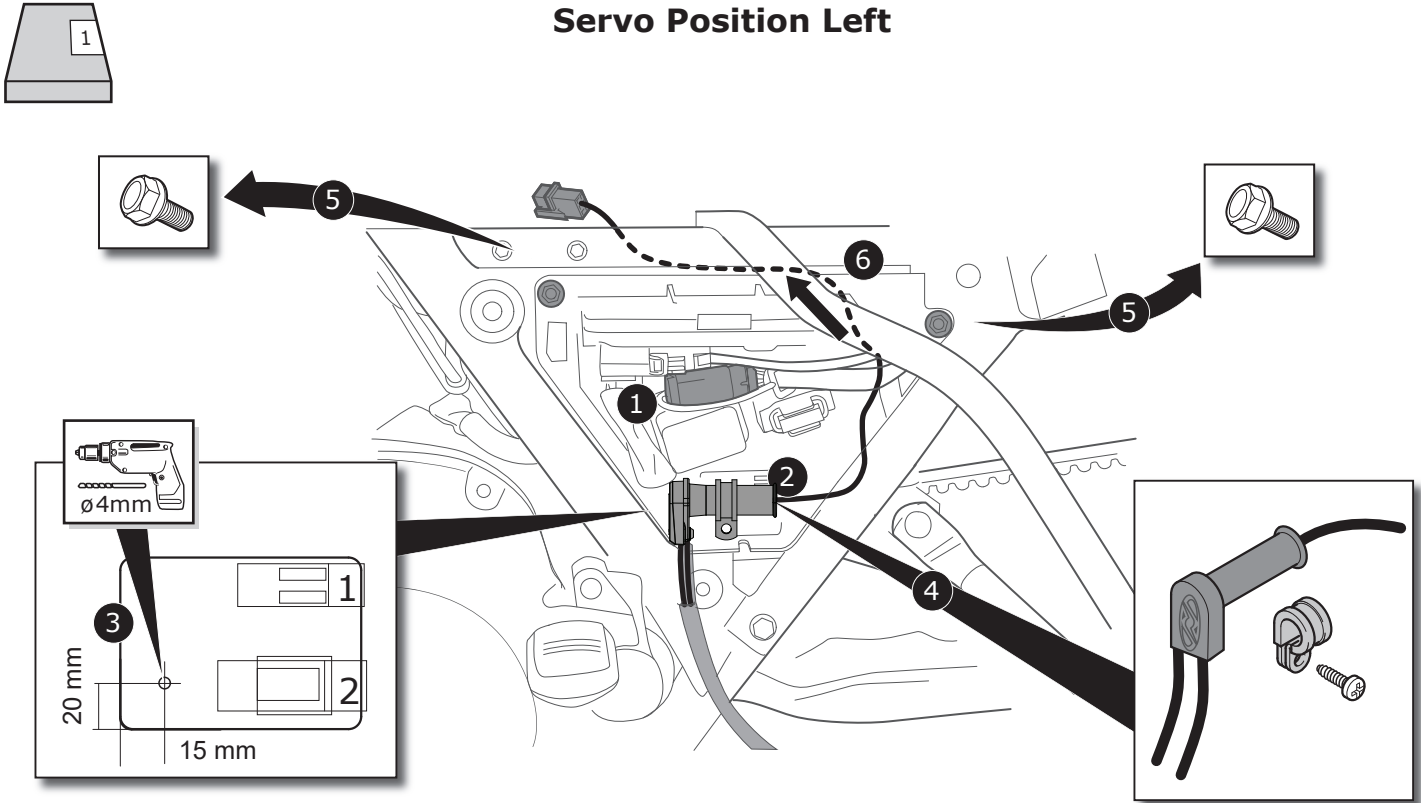
FOR MODEL YEAR 2017 -> 2020

PAGE 6

FOR MODEL YEAR 2021 -> UP

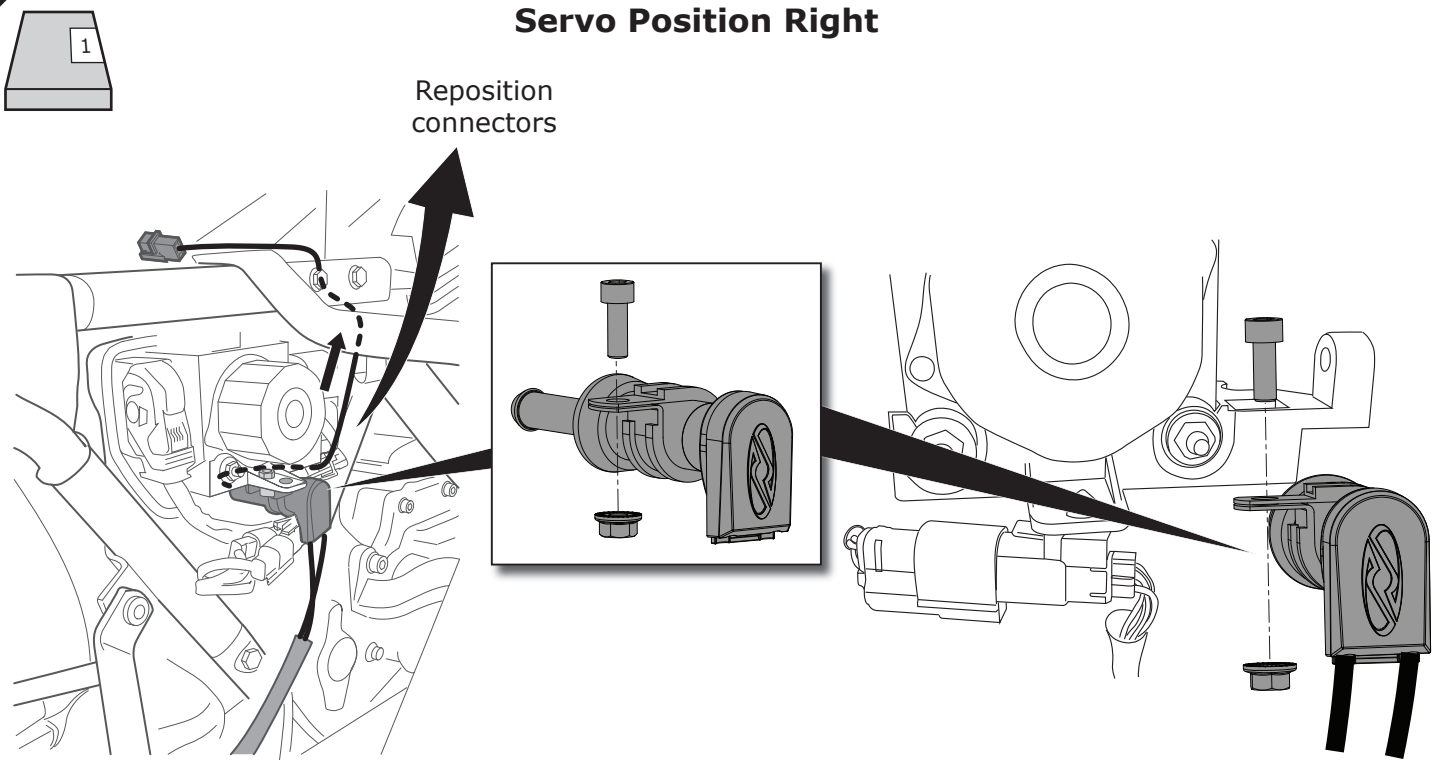
4

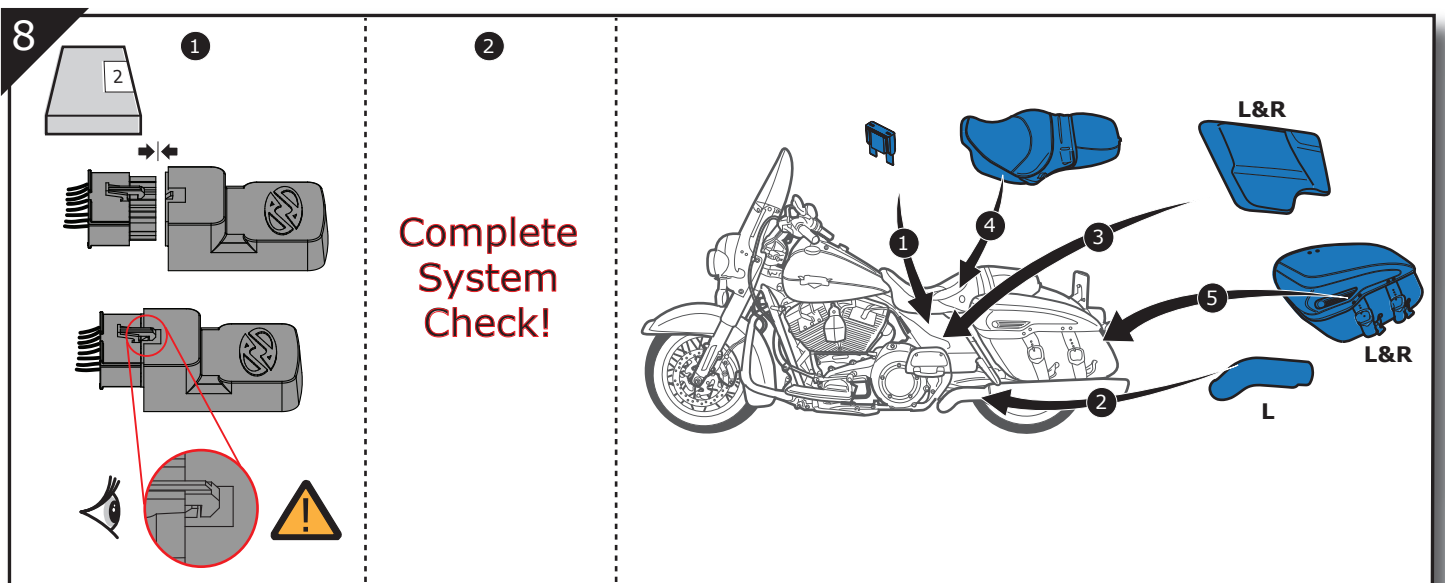
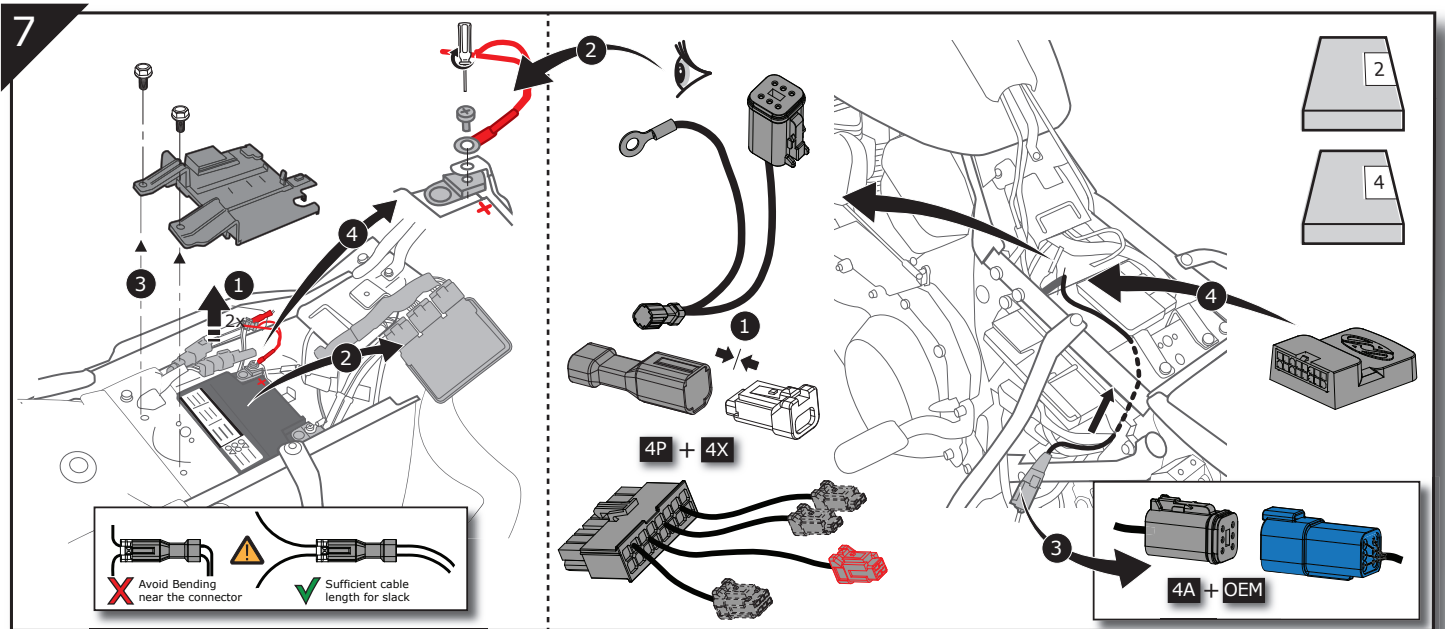
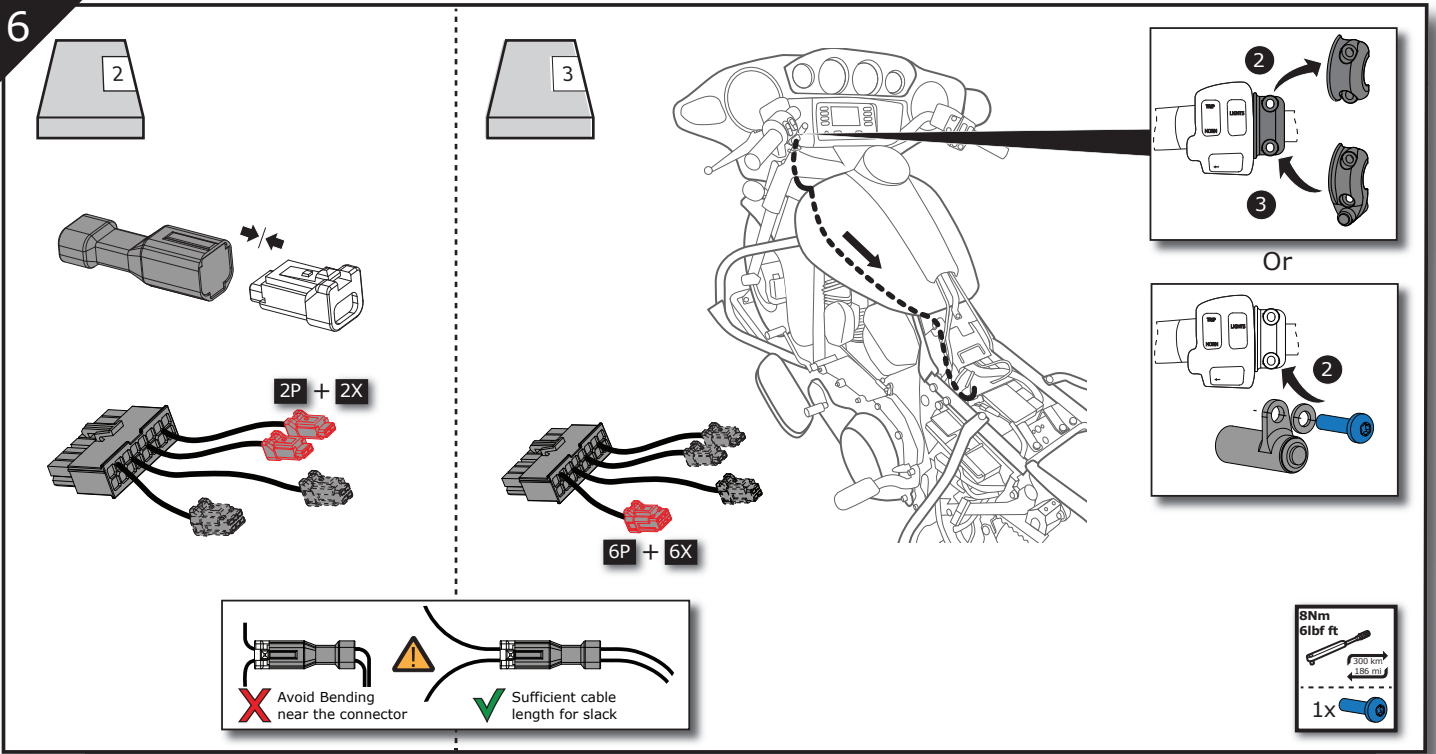
Servo Position Left



5

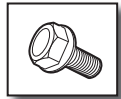
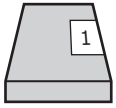
Servo Position Right



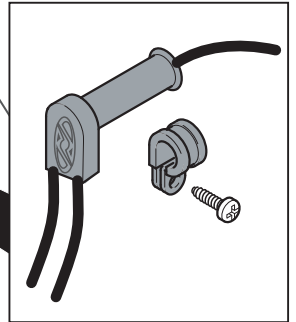
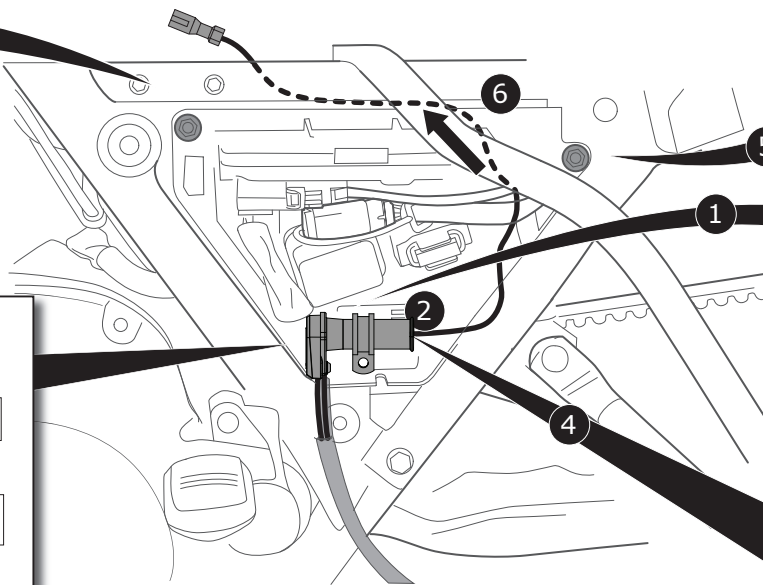
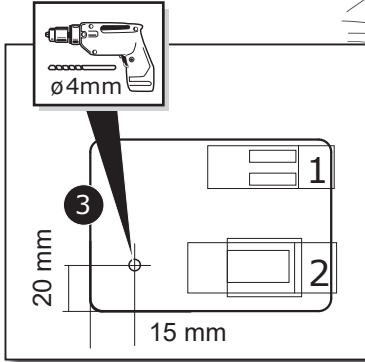
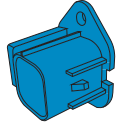


4

Servo Position Left

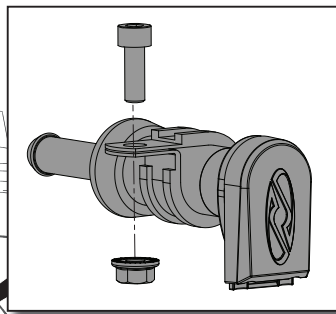
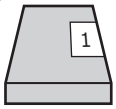


Remove:



5

Servo Position Right



Option 1

Option 2

