

WOODCRAFT CFMOTORSPORTS

105 Baldwinville Rd. Winchendon, MA 01475
(978)297-2977

08-5741/3 RSV4 GP Shift Upgrade / OEM GP Conversion Instruction Sheet – Racing Use Only

Thank you for selecting CFMOTORSPORTS rearsets. The components you have just purchased for your motorcycle are designed to improve the ground clearance, crash worthiness and overall good looks of your motorcycle. Please note that these components are intended and approved for **racing use only**. As such, the footpegs are solid-mount and provisions for brake light switches are not provided with the kit.

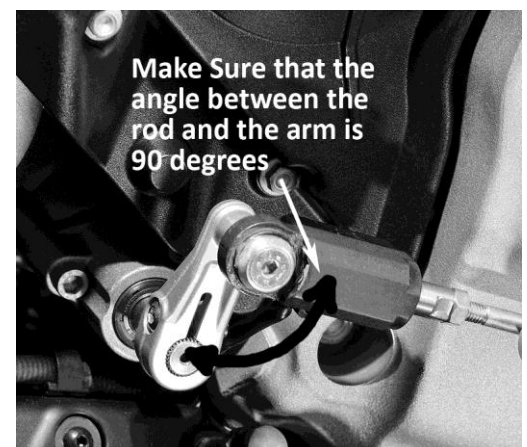
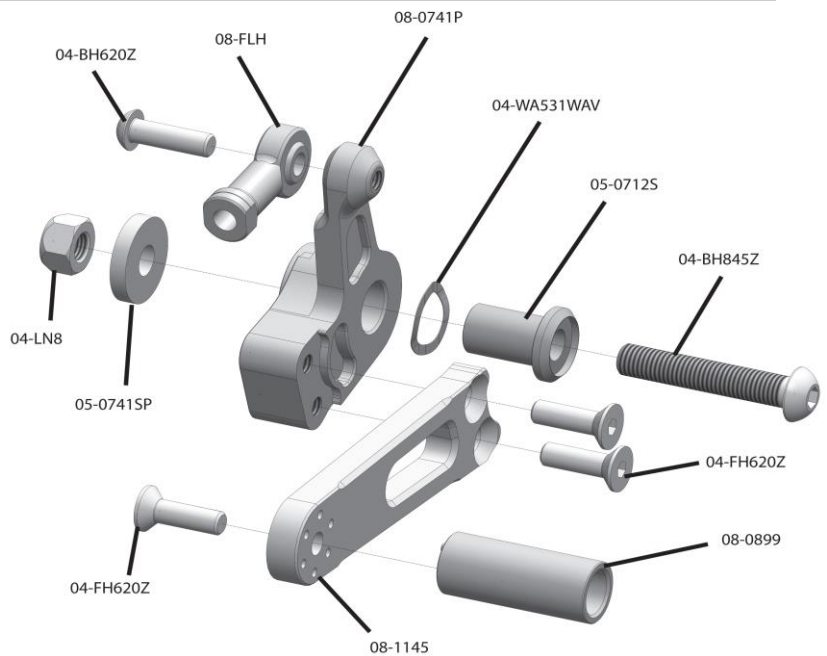
- 1) Remove your current shift pedal. All components that are re-used in this kit should be cleaned and inspected for damage before re-installation.

IMPORTANT

Tighten all fasteners to factory specification or industry standard. You must use also Threadlocking compound in ALL instances where it is directed below. **FAILURE TO PROPERLY TIGHTEN ALL FASTENERS OR USE THREADLOCKING COMPOUND MAY CAUSE DAMAGE TO THE MOTORCYCLE, LOSS OF CONTROL AND SERIOUS INJURY OR DEATH.**

Shift Side Assembly Installation

- 1) **SHIFT PEDAL:** Assemble the 08-1145 shaft to the 08-0741P shift pivot using **threadlocking compound** and the 6 x 20mm flat head bolts. Bolt the heim joint on the top of the pivot using **threadlocking compound**. Bolt the pedal tip to the shaft using the 6 x 20mm flat head bolt (final adjustment in step 4).
- 2) Bolt the shift pedal to the bracket using the 05-0712S shift pivot pin and 8x45mm button head bolt. Place the wave washer between the pivot pin and the shift pivot. (**Stock Rearsets Only: place the #10 05-0741SP between the pivot and the bracket. This spacer is not used if you have CFM rearsets**). Be sure to generously apply quality waterproof grease to the sliding surface of the pivot pin to ensure smooth lever operation. Secure the bolt with the 8mm lock nut on the back side of the bracket.
- 3) **Shift Knuckle & Shift Rod.** After installing the main bracket, check to see that the shift knuckle is perpendicular to the shift rod (this is very important). You may need to move it from the stock position. Once it is in the proper place, tighten the pinch bolt at the bottom of the knuckle.
- 4) **NOTE: RSV4 '11-16 uses shift rod 07-0110 (110mm long). RSV4 '17 uses shift rod 07-0375 (3.75 inches long).**
- 5) Using a combination of the eccentric toe peg and the included shift rod adjustment, bring the shift pedal to your desired height. Be sure to tighten both lock nuts on the shift rod. Adjust the lever tip to the position where the distance from the peg to the lever tip is most comfortable and then secure the pedal tip with **threadlocking compound**



IMPORTANT Installation and use of this product will change the response of the motorcycle to rider control inputs. Failure of the rider to adapt to these changes may result in a loss of control, and serious injury or death. Improper installation and/or failure to comply with all warnings and instructions may cause a loss of control and serious injury or death. **DO NOT INSTALL OR USE THIS PRODUCT IF YOU ARE UNABLE TO DO SO IN COMPLIANCE WITH ALL INSTRUCTIONS AND WARNINGS. SEEK THE ASSISTANCE OF A PROFESSIONAL TECHNICIAN.**