



INSTALLATION INSTRUCTIONS FRONT PLOW MOUNT KIT

Part Number: 95475

Application: 2016+ Yamaha Wolverine

GENERAL SAFETY PRECAUTIONS

Your safety, and the safety of others, is very important. To help you make informed decisions about safety, we have provided installation and operating instructions and other information on labels and in this guide. This information alerts you to potential hazards that could hurt you or others. It is not possible to warn you about all potential hazards associated with this product, you must use your own good judgment.

CARELESS INSTALLATION AND OPERATION CAN RESULT IN SERIOUS INJURY OR EQUIPMENT DAMAGE. READ AND UNDERSTAND ALL SAFETY PRECAUTIONS AND OPERATING INSTRUCTIONS BEFORE INSTALLING AND OPERATING THIS PRODUCT.

This guide identifies potential hazards and has important safety messages that help you and others avoid personal injury or death. WARNING and CAUTION are signal words that identify the level of hazard. These signal words mean:

▲WARNING signals a hazard that could cause serious injury or death, if you do not follow recommendations. **▲CAUTION** signals a hazard that may cause minor to moderate injury, if you do not follow recommendations.

This guide uses NOTICE to call attention to important mechanical information, and Note: to emphasize general information worthy of special attention.

▲ WARNING

IMPACT AND MOVING PARTS ENTANGLEMENT HAZARD

Failure to observe these instructions could lead to severe injury or death

- Always Read the Plow Operator's Manual, the Winch Operator's Manual and all warning labels before operating.
- Always use extreme caution when drilling on any vehicle. Make sure that all fuel lines, brake lines, electrical wires, and other objects are not punctured or damaged when/if drilling on the vehicle. Thoroughly inspect the area to be drilled (on both sides of material) prior to drilling, and relocate any objects that may be damaged. Failure to inspect the area to be drilled may result in vehicle damage, electrical shock, fire or personal injury.
- Always wear safety glasses when installing this kit. A drilling operation will cause flying metal chips. Flying chips can cause eye injury.
- Always use extreme caution when cutting and trimming during fitting.
- Always remove jewelry and wear eye protection.
- Never lean over battery while making connections.
- Never route electrical cables:
 - o Across any sharp edges.
 - o Through or near moving parts.
 - o Near parts that become hot.
- Always insulate and protect all exposed wiring and electrical terminals.
- Always install terminal boots as directed in installation instructions.
- Always use appropriate and adequate care in lifting components into place.
- Always insure components will remain secure during installation and operation.
- Always tighten all nuts and bolts securely, per the installation instructions.
- Always operate the vehicle at a walking speed with the blade installed. Never exceed 5 mph (8 km/h), even with blade up.
- Always plow cautiously, impact with hidden or stationary object may cause the vehicle to stop suddenly or go out of control.
- Never operate the vehicle on slopes greater than 10 degrees with the plow installed.
- Never stand or ride on the plow.
- Always stay clear of moving parts and joints. Always keep others away when operating or adjusting plow.
- Always perform regular inspections and maintenance on the plow mechanism, fasteners, cable and related hardware.
- Always replace all worn or damaged parts before operating.
- Never operate this WARN product with damaged or missing parts.
- Always drive slowly over bumpy and rough terrain. Driving at speeds that cause the plow to bounce while in the up position can cause the winch to back-drive, causing the plow to work its way down. This may result in the plow impacting a stationary object and cause damage to the vehicle and operator injury or death.
- Always drive at speeds such that the plow does not bounce and be aware of the plow position while driving at all times.
- Always be aware that the purpose of the j-bolt is to break the connection between the plow and the winch, to prevent serious damage to the ATV if the plow is raised too high. The plow blade will drop suddenly if the j-bolt breaks, so always be sure there are no bystanders when you raise and lower the plow.
- Never raise the top of the plow above the headlights of the ATV, as it may damage the vehicle and plow.
- Always replace a deformed or broken j-bolt with the spare j-bolt included in the kit.

Read installation and operating instructions thoroughly.

WARN INDUSTRIES, INC. 12900 S.E. Capps Road,
Clackamas, OR USA 97015-8903, 1-503-722-1200, FAX: 1-503-722-3000
Customer Service: 1-800-543-9276
Dealer Locator Service: 1-800-910-1122
International Fax: 1-503-722-3005

⚠ CAUTION

MOVING PARTS ENTANGLEMENT HAZARD

Failure to observe these instructions could lead to minor or moderate injury

- Always take time to fully read and understand the installation and Operations Guide included with this product.
- Never operate this product if you are under 16 years of age.
- Never operate this product when under the influence of drugs, alcohol or medications.

Read installation and operating instructions thoroughly.

NOTICE

EQUIPMENT DAMAGE

- Always refer to the Installation and Specification Guide, supplied in the winch kit, for all wiring schematics and specific details on how to wire this WARN product to your vehicle.
- Always put the end of the actuator cable through the slot in the Termination Bracket. Terminating the cable through any other hole in the bracket will cause the bracket to not function properly and will drastically reduce the life of the actuator cable.

Read installation and operating instructions thoroughly.

TABLE OF CONTENTS

Tools Required.....	page 2
Parts List.....	page 3
Torque Specifications.....	page 3
Installation.....	page 4-6
Maintenance/Care.....	page 6

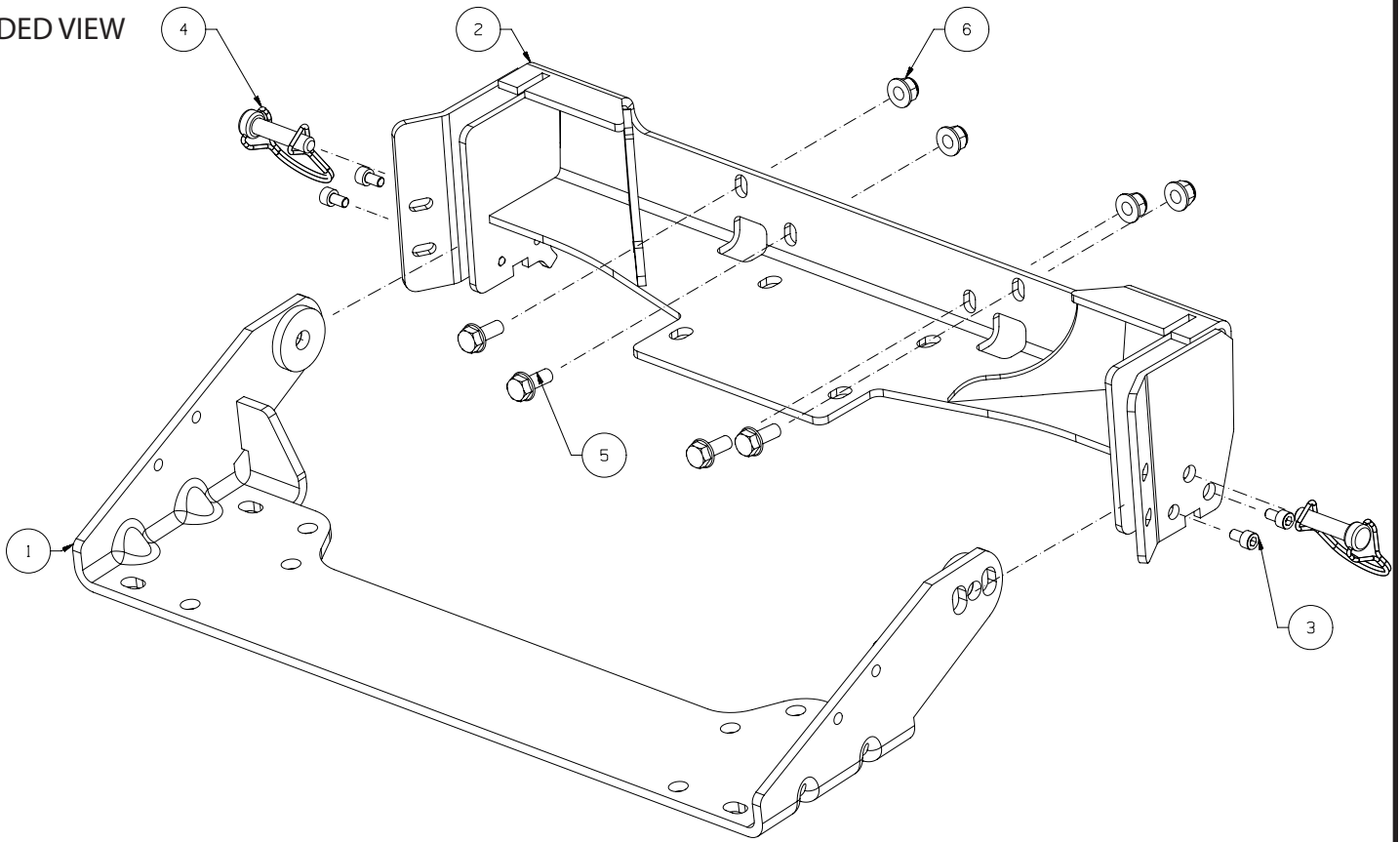
TOOLS REQUIRED

- Metric socket set
- Metric wrench set

PARTS LIST

ITEM	QTY	NAME	PART #
1	1	Push Tube Mounting Bracket	95478
2	1	Front Plow Mount	95474
3	4	Socket Head Cap Screw	85743
4	2	Pin w/ safety retainer	35136
5	4	Flange Hex Head Bolt	78648
6	4	Flange Hex Head Nut	71588

EXPLODED VIEW



TORQUE SPECIFICATIONS

Please use the recommended torque specifications when assembling this product unless otherwise specified in the instructions.

FASTENER SIZE	FASTENER TORQUE	
	lb-ft	(N.m)
1/4"	8	(11)
5/16"	17	(23)
3/8"	30	(40)
7/16"	48	(66)
1/2"	74	(100)
9/16"	106	(144)
5/8"	148	(200)
3/4"	269	(364)
M4	(2)	3
M5	(4.5)	6
M6	(7.5)	10
M8	(18)	25
M10	(37)	50

INSTALLATION INSTRUCTIONS

1. Remove the four M10 bolts securing brush guard to vehicle. Remove brush guard completely and set aside.



Figure 1

2. Attach the winch mount to the front plow mount, using four M8 flanged bolts (item 5) and M8 locking flange nuts (item 6) provided in the kit.

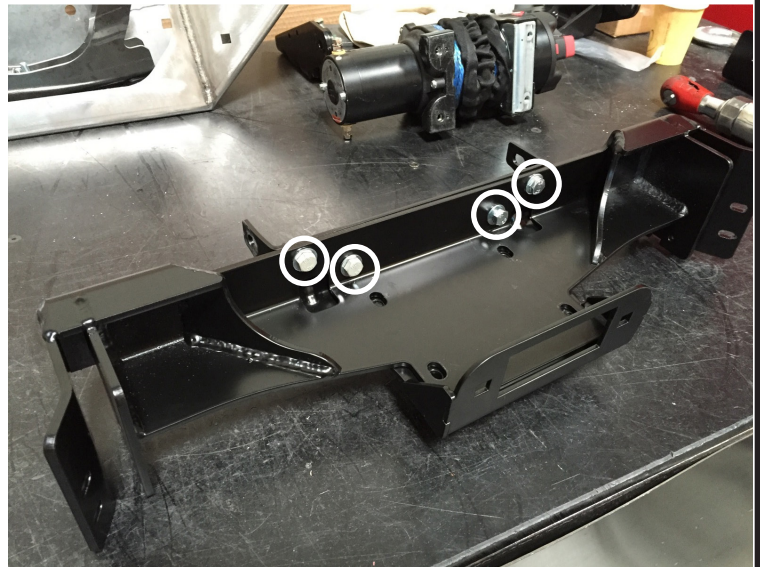


Figure 2

3. Using the two 20mm hex head cap screws and lock washers (provided in the winch kit) attach the winch/plow mount assembly to the winch's rear mounting holes.

Do not fully tighten at this time.

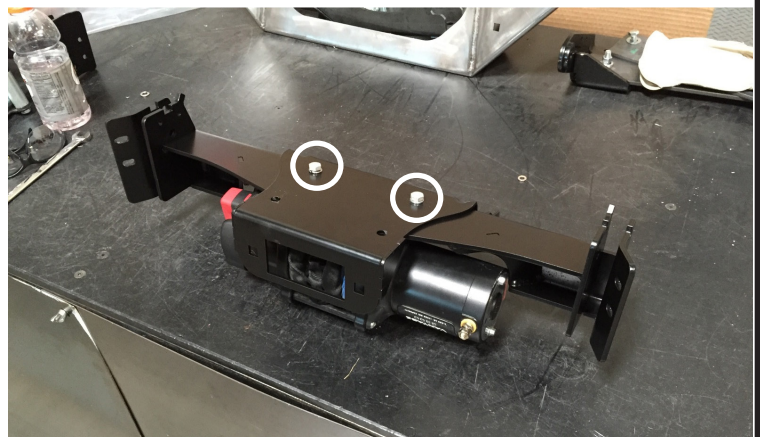


Figure 3

INSTALLATION INSTRUCTIONS

- Using the two 25mm M8 bolts and lock washers provided in the winch kit, attach the vehicle's brush guard to the winch's forward mounting holes.

Do not fully tighten at this time.



Figure 4

- Reinstall the brush guard/winch/plow assembly using the hardware previously removed in step 1.



Figure 5

- Using hardware found in winch kit, attach winch mount to vehicle frame.
- Fully tighten all hardware now.

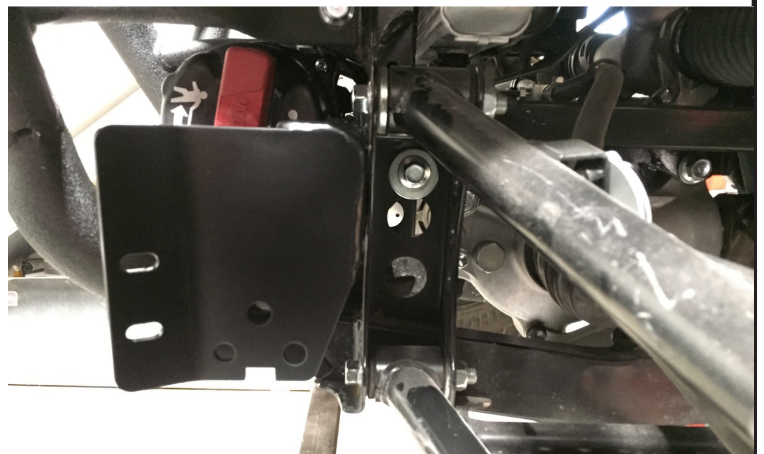


Figure 6

8. Attach the Push Tube Mounting Bracket (Item 1) to the push tube assembly using the hardware provided in the push tube assembly hardware kit.
9. Follow the instructions provided with the push tube assembly to complete installation.
10. Insert push tube mounting bracket into front plow mount and secure with four socket head cap screws (item 3) and two safety retainer pins (item 4).
11. Complete tightening all hardware.

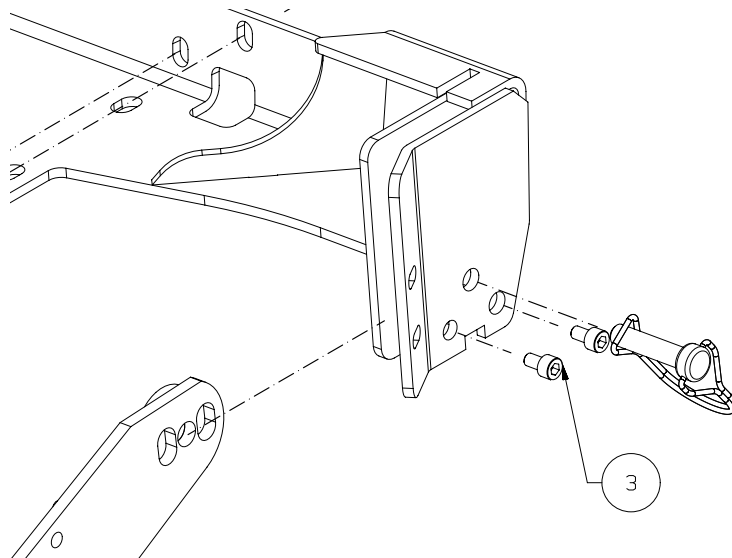


Figure 7

MAINTENANCE / CARE

1. Inspect all parts on the winch, winch mount, and related hardware prior to each use. Replace all hardware that appears rusted or deformed.
2. Inspect all nuts and bolts on the winch, winch mount, and related hardware prior to each use. Tighten all nuts that appear to be loose. Stripped, fractured, or bent bolts or nuts need to be replaced.
3. Check all cables prior to use. Replace cables that look worn or frayed.
4. Check all moving or rotating parts. Remove debris that may inhibit the part from moving freely.

CARELESS INSTALLATION AND OPERATION CAN RESULT IN SERIOUS INJURY OR EQUIPMENT DAMAGE. READ AND UNDERSTAND ALL SAFETY PRECAUTIONS AND OPERATING INSTRUCTIONS BEFORE INSTALLING AND OPERATING THIS PRODUCT.

