

Bi-LED Headlight - Model 97

PRODUCT INFORMATION

Description	12-24V DOT/ECE High & Low Beam Headlights - 2 Light Kit (Reg 113)
Height	134.00 mm / 5.28 in
Width	100.00 mm / 3.94 in
Depth	85.00 mm / 3.35 in
Shape	Round
Outer Lens Material	Polycarbonate
Outer Lens Color	Clear
Housing Material	Aluminum
Housing Color	Black
Bezel Color	Black
Mounting Hardware Description	U-Bracket
Mounting Type	Pedestal
Minimum Operating Temperature	-40 °C / -40 °F
Maximum Operating Temperature	65 °C / 149 °F
Connector or Wiring	Deutsch DT04-4P
Mating Connector	Deutsch DT06-4S
Product Weight	0.00 lbs / 0 kgs
Shipping Weight	3.50 lbs / 1.59 kgs



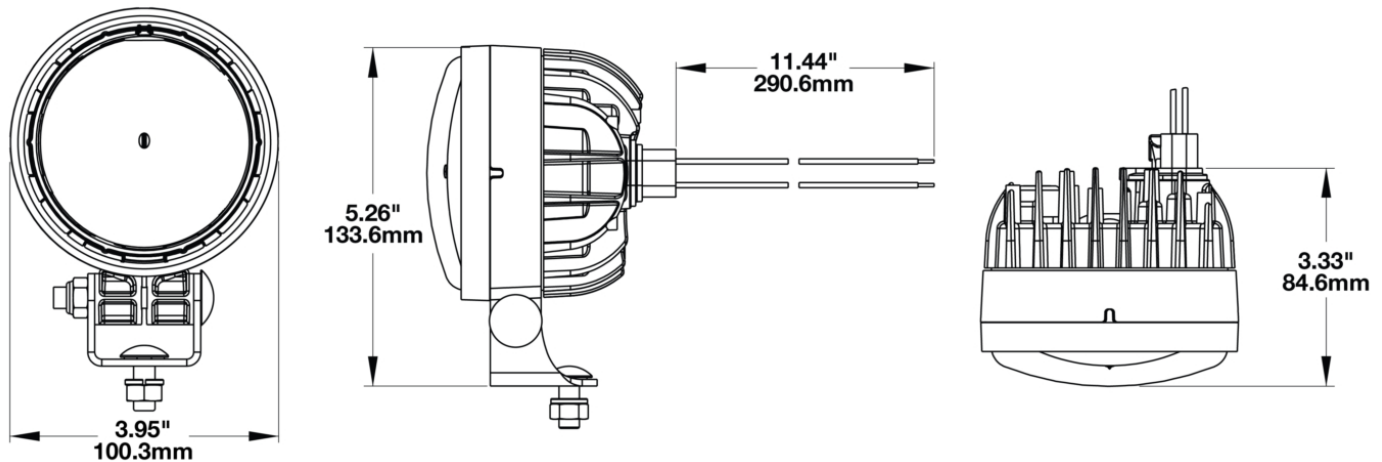
Print date: 2019-02-27

© 2019 J.W. Speaker Corporation • Germantown, WI U.S.A.
 www.jwspeaker.com • speaker@jwspeaker.com • 262.251.6660

J.W. SPEAKER 
 Engineered. Lighting. Solutions.

Bi-LED Headlight - Model 97

PRODUCT DIMENSIONS



ELECTRICAL SPECIFICATIONS

Input Voltage	12-24V DC
Operating Voltage	10-32V DC
Transient Spike Protection	150V Peak @ 1 HZ-100 Pulses
Black Wire	Ground
Yellow Wire	Low Beam
White Wire	High Beam
Red Wire	Front Position
Current Draw	1.5A @ 12V DC (Low Beam)
	1.8A @ 12V DC (High Beam)
	0.1A @ 12V DC (Front Position)
	0.8A @ 24V DC (Low Beam)
	1.0A @ 24V DC (High Beam)
	0.06A @ 24V DC (Front Position)

Print date: 2019-02-27

© 2019 J.W. Speaker Corporation • Germantown, WI U.S.A.
www.jwspeaker.com • speaker@jwspeaker.com • 262.251.6660

J.W. SPEAKER 
 Engineered. Lighting. Solutions.

Bi-LED Headlight - Model 97

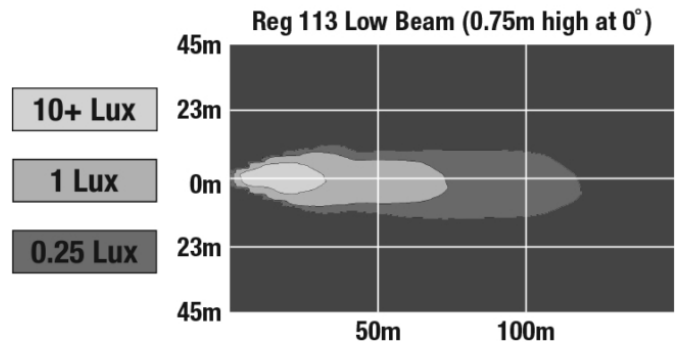
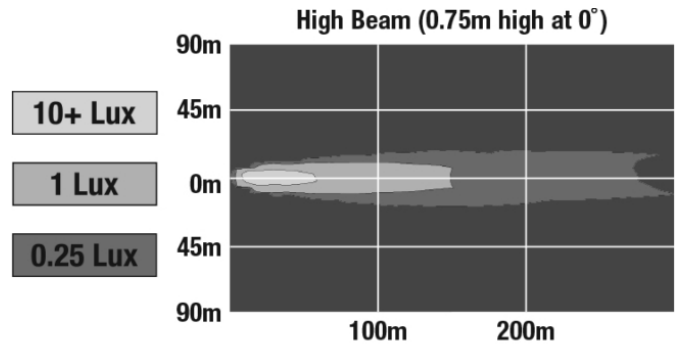
REGULATORY STANDARDS COMPLIANCE



Buy America Standards	ECE Reg 10
ECE Reg 113	ECE Reg 50
Eco Friendly	FMVSS 108 Table XX
IEC IP69K	Tested to ECE Reg. 10 (Radiated Emissions only)

PHOTOMETRIC SPECIFICATIONS

Raw Lumen Output	1,800 (High Beam); 1,600 (Low Beam)
Effective Lumen Output	497 (High Beam); 321 (Low Beam)
Candela Output	41,800 (High Beam); 14,600 (Low Beam)
Nominal LED Color Temperature	5000 K
Beam Pattern(s)	Forward Lighting - High Beam (DOT/ECE) Forward Lighting - Low Beam (DOT/ECE) Signalization - Front Position



Print date: 2019-02-27

© 2019 J.W. Speaker Corporation • Germantown, WI U.S.A.
www.jwspeaker.com • speaker@jwspeaker.com • 262.251.6660

Bi-LED Headlight - Model 97

APPLICATIONS



RELATED PRODUCTS



Part Number

0554921

12-24V DOT/ECE High
& Low Beam Headlight
(Reg 113)