

FOR OFF ROAD/RACE USE ONLY!



Driven TT Rearsets for 11-15 Suzuki GSXR 600/750

Part#: DRP-710

INSTALLATION INSTRUCTIONS

Removal

Shifter Side

1. Remove shift rod from shifter.
2. Remove C clip from shift pedal and remove pedal.
3. Remove 2 M8 bolts from frame bracket and remove plate from bike.

Brake Side

1. Remove 2 M6 bolts holding the master cylinder.
2. Remove master cylinder plunger pin and retain split pin.
3. Remove 2 M8 bolts and remove frame bracket.
4. Remove rear brake switch and disconnect it from bike.

TOOLS REQUIRED

- 8mm Open End Wrench
- 5mm Hex Key
- 6mm Hex Key
- 8mm Hex Key
- Needle Nose Pliers
- Screw Driver
- Blue Loctite
- Impact Gun

THE USE OF BLUE LOCTITE IS REQUIRED ON ALL MOUNTING HARDWARE!

Installation

NOTE: ALL PIVOT POINTS MUST BE TIGHTENED USING BLUE LOCTITE AND AN IMPACT GUN.

Shifter Side

1. Install new shift pedal and reinstall C clip.
2. Install shift rod.
3. Install foot peg into left bracket.
4. Install frame bracket using stock M8 bolts.
5. Adjust shift pedal with shift rod and tighten both safety nuts.

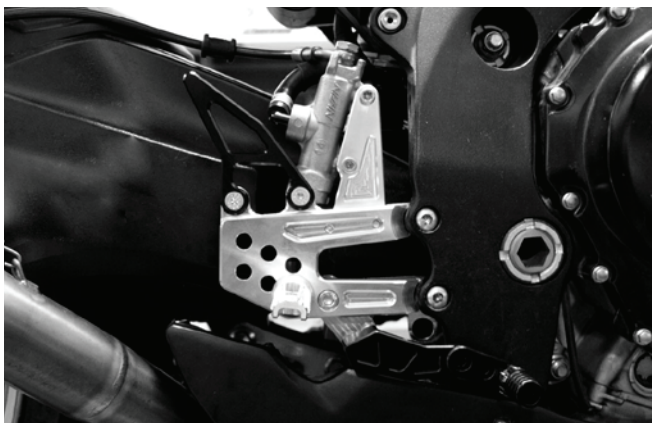
Brake Side

1. Install foot peg in frame bracket.
2. Connect master cylinder plunger to brake lever using oem cotter pin and pin.
3. Install frame bracket to bike.
4. Install master cylinder using 2 M6 bolts supplied.
5. Use blue Loctite on all bolts and torque all to required setting.
6. Make sure nothing interferes with proper operation of motorcycle.

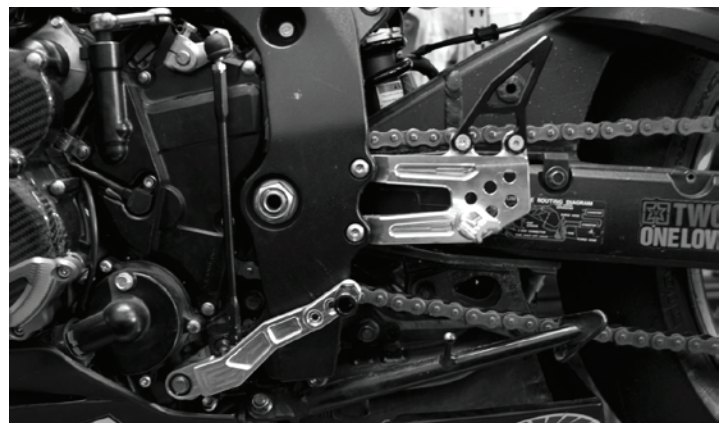
TORQUE VALUES

- M5 = 6FT/LBS
- M6 = 10FT/LBS
- M8 = 25FT/LBS
- M10 = 45FT/LBS

Make final adjustments as necessary and re-check all hardware after the first 500 miles of use.



(Fig 1.)



(Fig 2.)

THIS PRODUCT IS INTENDED TO BE INSTALLED BY A CERTIFIED TECHNICIAN*

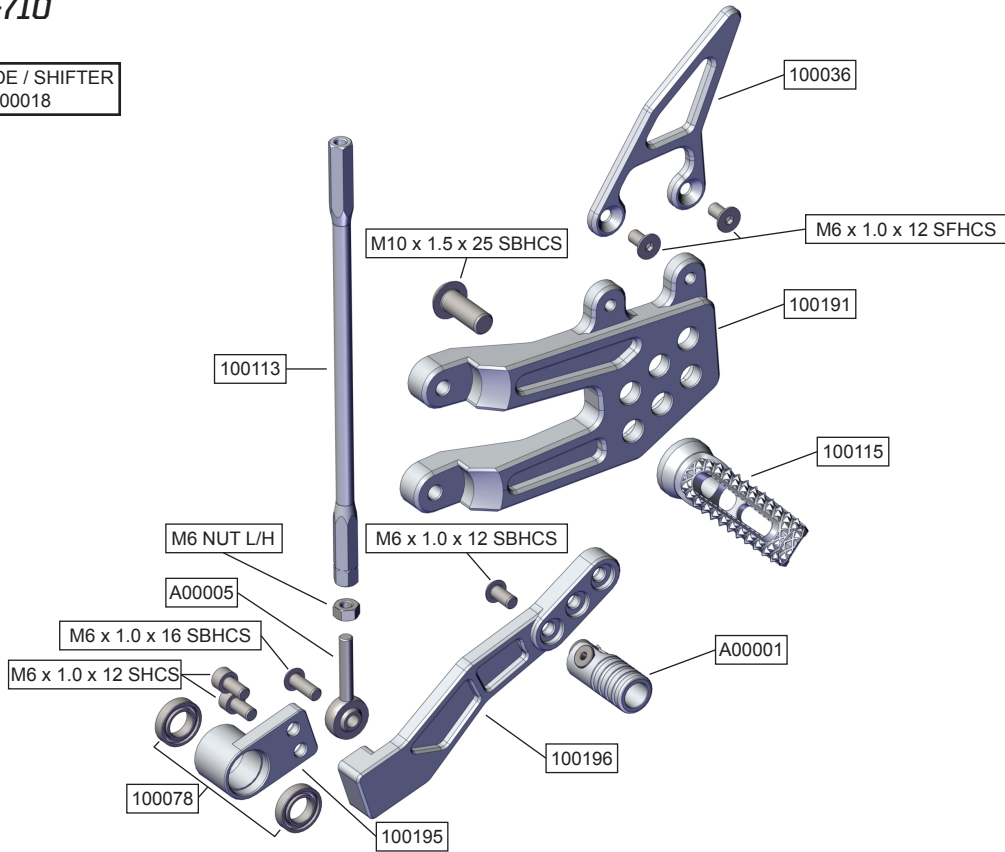
FOR OFF ROAD/RACE USE ONLY!



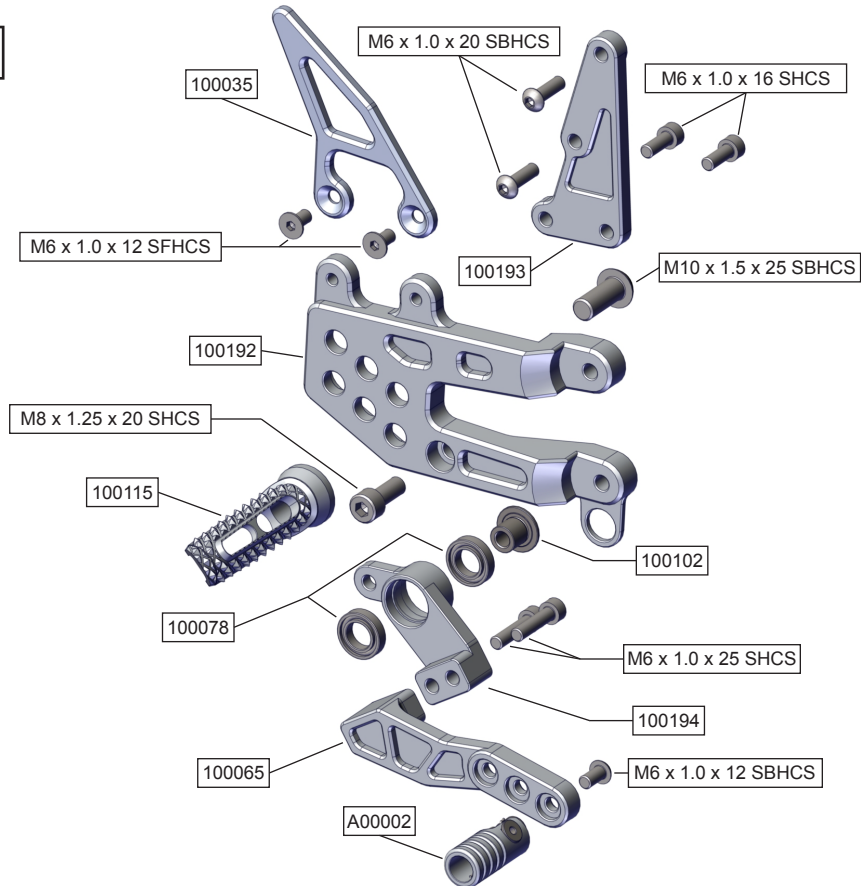
Driven TT Rearsets for 11-15 Suzuki GSXR 600/750

Part#: DRP-710

LEFT SIDE / SHIFTER
A00018



RIGHT SIDE / BRAKE
A00019



THIS PRODUCT IS INTENDED TO BE INSTALLED BY A CERTIFIED TECHNICIAN*