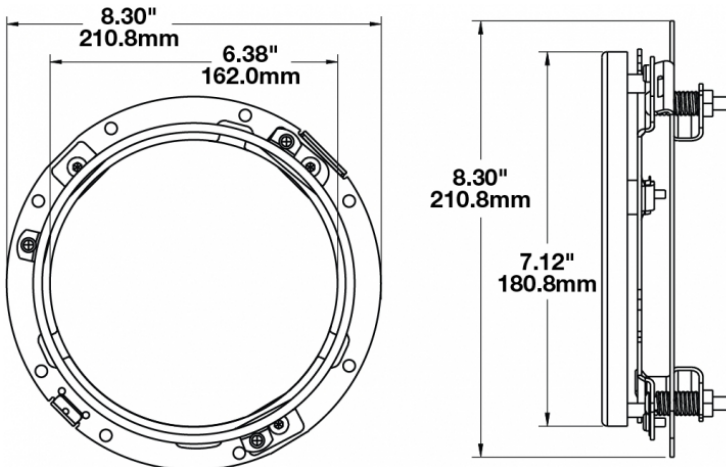




PRODUCT INFORMATION

Description	Mounting Ring Kit for 8700 Evolution & 8710 Series
Height	210.82 (mm) / 8.3 (in)
Width	210.82 (mm) / 8.3 (in)
Product Weight	0.20 (lbs) / 0.09 (kgs)

PRODUCT DIMENSIONS



REGULATORY STANDARDS COMPLIANCE



Buy America Standards