

WOODGRAFT CFMOTORSPORTS

105 Baldwinville Rd
Winchendon, MA 01475
(978) 297-2977

Ducati 0640 Rearset Instruction Sheet – Racing Use Only

Thank you for selecting CFMOTORSPORTS rearsets. The components you have just purchased for your motorcycle are designed to improve the ground clearance, crash worthiness and overall good looks of your motorcycle. Please note that these components are intended and approved for **racing use only**. As such, the footpegs are solid-mount and provisions for brake light switches and brake pedal return springs are generally not provided.

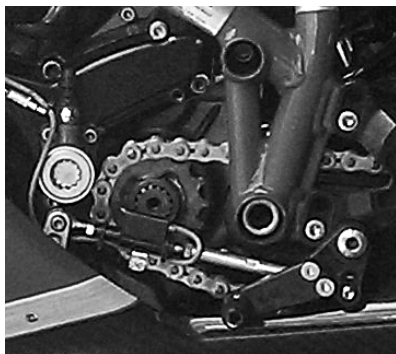
- 1) Remove stock rearsets, footpegs and associated hardware. All components that are re-used in this kit should be cleaned and inspected for damage before re-installation.

IMPORTANT

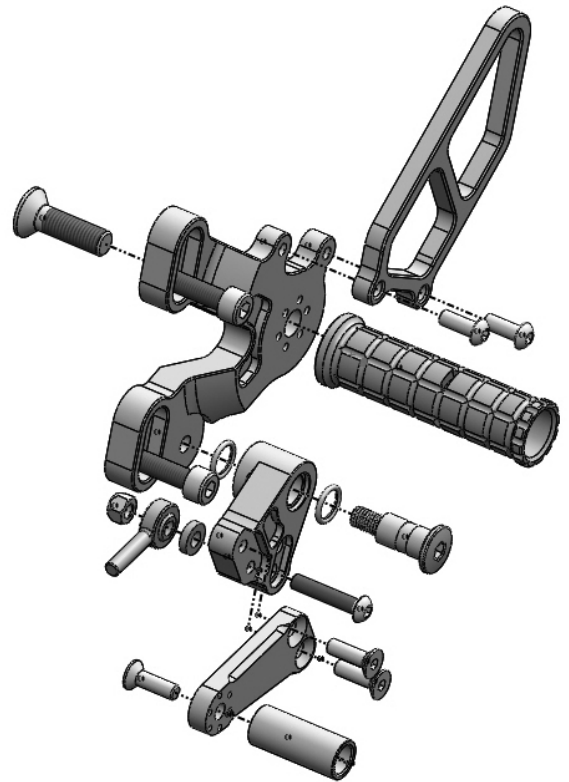
Tighten all fasteners to factory specification or industry standard. FAILURE TO PROPERLY TIGHTEN ALL FASTENERS MAY CAUSE DAMAGE TO THE MOTORCYCLE, LOSS OF CONTROL AND SERIOUS INJURY OR DEATH

Shifter Side Assembly Installation

- 1) If you are using the CFM shift pedal, fully assemble the pedal before installation using **LOCTITE** on all bolts.
- 2) Bolt the shift pedal to the bracket using the OEM hardware and orings. Be sure to generously apply quality waterproof grease to the sliding surface of the footpeg to ensure smooth lever operation. **IMPORTANT - Secure the bolt with LOCTITE.**
- 3) Bolt the CFM footpeg to the bracket using the included 10mm FHCS hardware. Note that the footpeg has a 6-position eccentric adjustment and that the pegs on both sides of the motorcycle must be placed in the same location. **IMPORTANT - Secure footpeg bolt with LOCTITE.**
- 4) Bolt the CFM heel guard to the bracket using the supplied 6mm bolts.



For GP Shift Flip the gear change actuator (attached to the shift shaft on the motor) approximately 180 degrees from the OEM position. Adjust the actuator on the spline until it makes as close to a 90-degree angle with the shift rod as possible. (Shown at left).



- 5) Bolt the shifter side assembly to the frame using the included hardware. Be sure to bolt both sides in the same location (high or low position). See note below for low position clearance.
- 6) Bring the pedal to the desired height using the OEM shift rod (using the OEM rod lock nuts). Adjust the pedal to the desired height and lock the rod in place.

Note: In the low position, the shifter can contact the OEM bodywork. For clearance, use a drum sanding bit with a dremel tool to make a small notch (area shown in the picture on the right).



Brake Side Assembly Installation

- 1) If you are using the CFM brake pedal, fully assemble the pedal before installation using LOCTITE on all bolts. Install the CFM brake pedal in the place of the OEM pedal using all of the OEM hardware and o-rings. Be sure to use a quality waterproof grease on the sliding surface of the brake pedal.
- 2) Bolt the CFM footpeg to the bracket using the included 10mm hardware. Note that the footpeg has a 6-position eccentric adjustment and that the pegs on both sides of the motorcycle must be placed in the same location. **IMPORTANT - Secure footpeg bolt with LOCTITE.** Bolt the CFM heel guard to the bracket using the supplied 6mm bolts.
- 3) Bolt the brake bracket assembly to the frame using the included hardware. Be sure to bolt both sides in the same location (high or low position).
- 4) Adjust the brake pedal to your desired height.

BE SURE THAT ALL COMPONENTS OPERATE AND RETURN FREELY BEFORE USE

If you have any questions regarding installation, please feel free to contact us.

IMPORTANT

Installation and use of this product will change the response of the motorcycle to rider control inputs. Failure of the rider to adapt to these changes may result in a loss of control, and serious injury or death. Improper installation and/or failure to comply with all warnings and instructions may cause a loss of control and serious injury or death. **DO NOT INSTALL OR USE THIS PRODUCT IF YOU ARE UNABLE TO DO SO IN COMPLIANCE WITH ALL INSTRUCTIONS AND WARNINGS. SEEK THE ASSISTANCE OF A TRAINED PROFESSIONAL TECHNICIAN.** Installation of this product releases the Woodcraft Technologies, Inc. from all liabilities as to the use of this product. The user recognizes that any alteration or modification to any motorcycle may increase the risk of injury or accident and may also render the motorcycle illegal for public road use