

MOTOPLASTIC, S.A.

Molí de la sal, 1 - 08403 Granollers (Barcelona) SPAIN

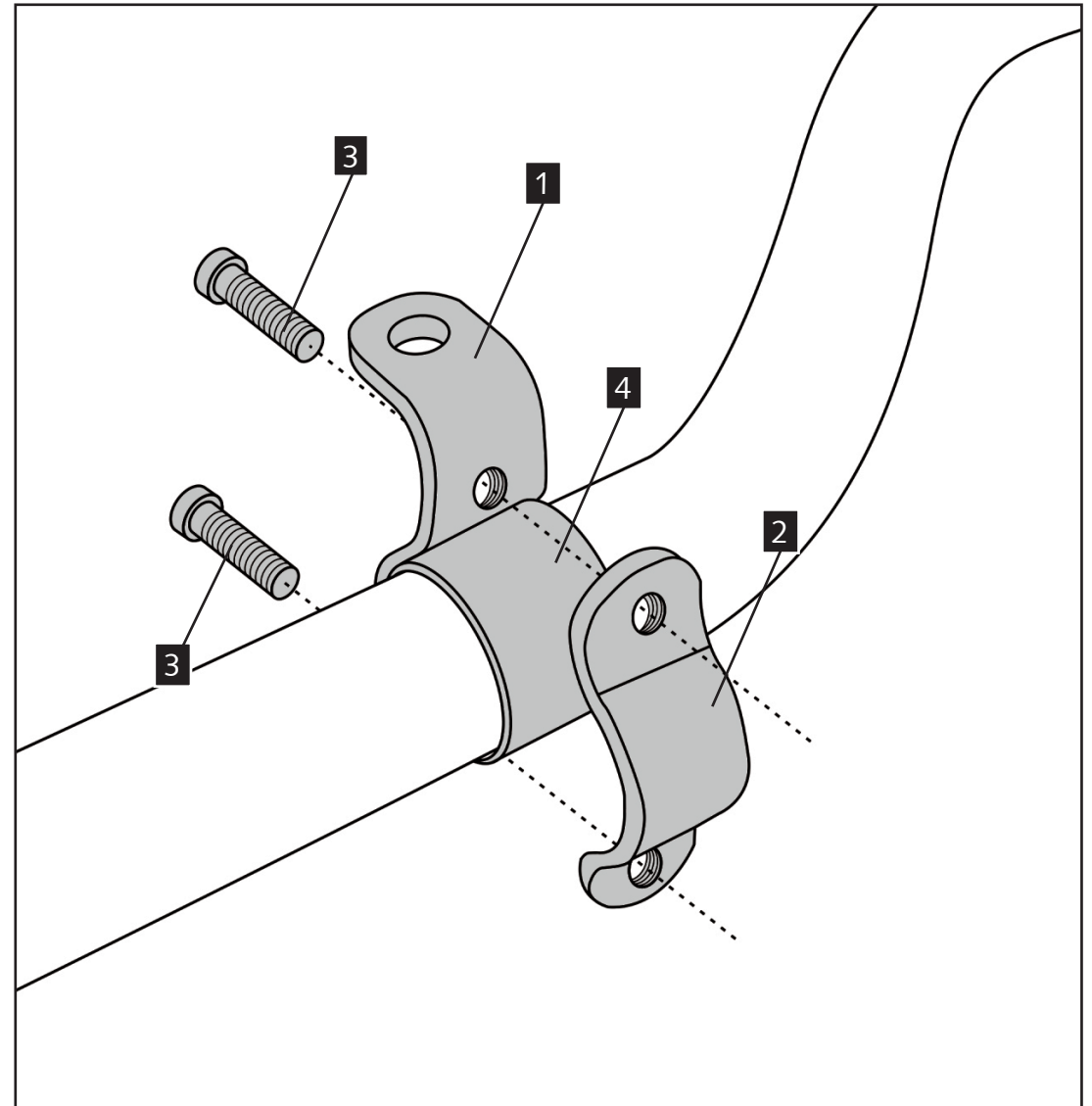
Tel. 34 93 849 06 33 - Fax 34 93 849 09 88

info@puig.tv - info@puigusa.com

www.puig.tv - www.puigusa.com

KIT DE MANILLARES DE 29mm  
KIT FOR HANDLEBAR OF 29mm

Ref.: 10459



ID.	DESCRIPCIÓN	DESCRIPTION	QTY.
1	Semi-brida larga	Large semi-bridle	2
2	Semi-brida corta	Short semi-bridle	2
3	Tornillo M6x20 DIN912	M6x20 DIN912 screw	4
4	Casquillo para aplicar al manillar de Ø29	Arrowhead to applicate the handlebar Ø29	2