

1) Remove your OEM motor mount bolt. This kit uses the main 12mm bolt that goes through the center of the engine - shown in the photos at the right.

2) After the OEM motor mount bolt is removed, the engine may drop slightly. It may be needed to use a floor jack to get the holes to line up when re-installing the Woodcraft engine bolt.

3) Starting with the left side, push the 300mm long motor mount bolt through the 05-0670L base, 05-0670LC bracket and 05-0670HB aluminum spacer and then slide the bolt through the frame until it almost fully seats against the frame.

4) Take the two halves of the 05-0670B clamp and fit them to the frame. The threaded portion goes to the inside (engine side) and the non threaded portion goes to the outside (outside the frame). Use the 8x40 socket head bolts and assemble the clamp together finger tight.

WARNING: The frame tube is not parallel with the 05-0670LC bracket. The hole bored through the 05-0670B clamp set is not perpendicular to the clamp. This clamp must be oriented on the frame so that the thinner edge of the non threaded half of the clamp (which sits against the 05-0670LC bracket) is pointed to the outside (away from the puck). The surfaces of the 05-0670LB and 05-0670LC should be parallel. IMPROPER INSTALLATION WILL DAMAGE YOUR FRAME

5) On the right side, remove the OEM pipe heat guard. Next, push the 40mm long motor mount bolt through the 05-0670R base, 05-0670RC bracket and thread it by hand into the 05-0670TB steel base. Push the assembly into the frame hole until it seats against the end of the 300mm bolt (which should be sticking out at the bottom of the hole).

6) Take the two halves of the 05-0670B clamp and fit them to the left side of the frame. The threaded portion goes to the inside (engine side) and the non threaded portion goes to the outside (outside the frame). Use the 8x40 socket head bolt on the top hole and the 8x40 button head bolt on the bottom hole assemble the clamp together finger tight.

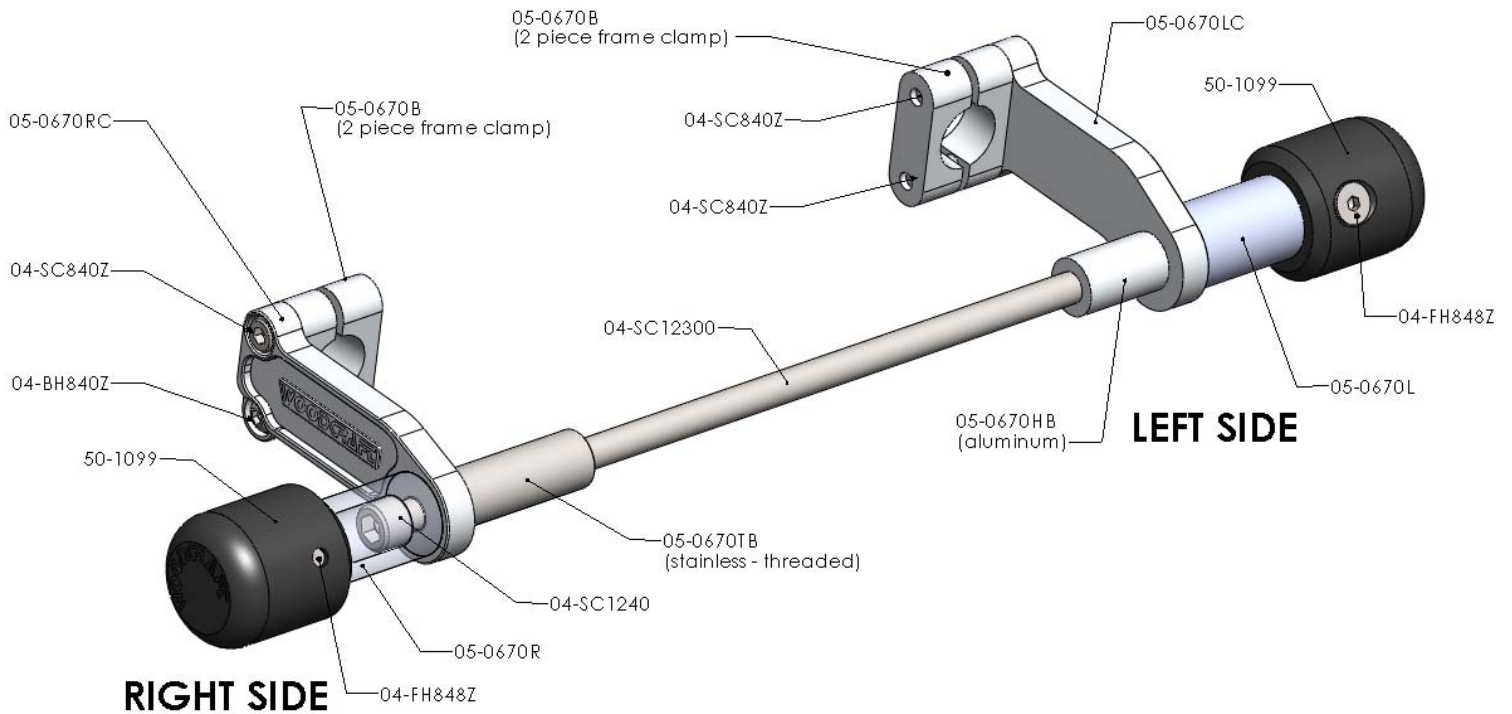
7) Thread the 300mm long main bolt into the steel 05-0670TB base by using sockets on both sides of the engine (this may take 2 people). Do not torque the bolt yet, simply thread the halves together until everything is full seated.

8) With the main bolt fully seated and the slider assemblies sitting tight against the frame, tighten the 8x40 mm bolts of the 05-0670B assemblies on each side. This is best done incrementally, making sure the clamps stay perfectly in line with the frame tube. Final torque on these bolts is about 16 ft-lbs. Re-install the OEM heat shield on the right side.

9) Torque the main 12x300mm motor mount bolt to about 45 ft-lbs.



10) Slide the plastic slider over the top of the base and secure in place using the 8 mm countersunk bolt provided. The bolt passes first through the non threaded hole and then screws into the threaded hole on the far side of the base. The plastic is undersized on the far side of the slider to act as a locknut for the bolt



105 Baldwinville Rd. Winchendon, MA 01475 978-297-2977

WARNING: Improper installation and/or failure to comply with all warnings and instructions may cause a loss of control and serious injury or death. The motorcycle should be run and thoroughly inspected before use. DO NOT INSTALL OR USE THIS PRODUCT IF YOU ARE UNABLE TO DO SO IN COMPLIANCE WITH ALL INSTRUCTIONS AND WARNINGS. SEEK THE ASSISTANCE OF A TRAINED PROFESSIONAL TECHNICIAN.